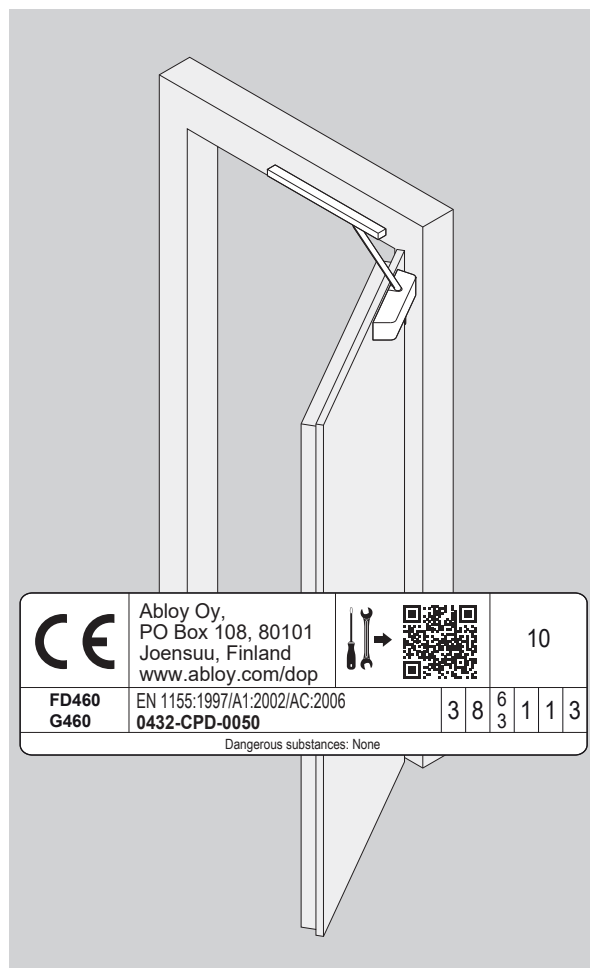
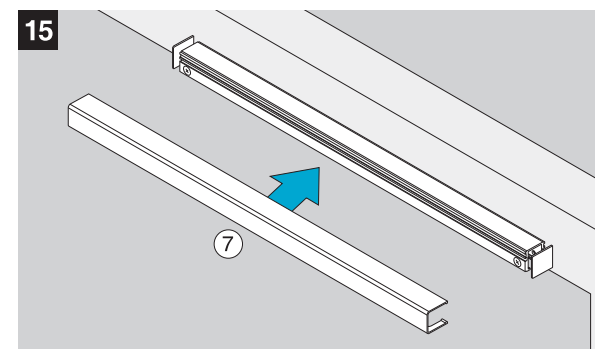
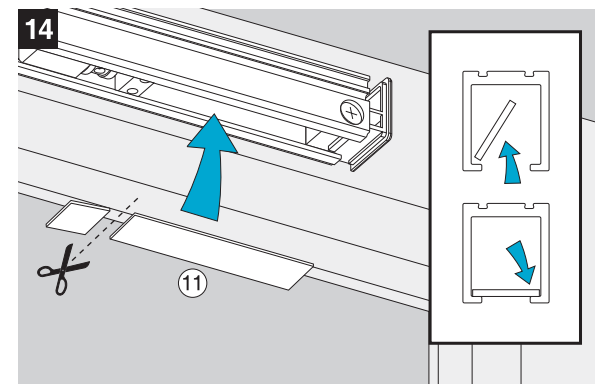
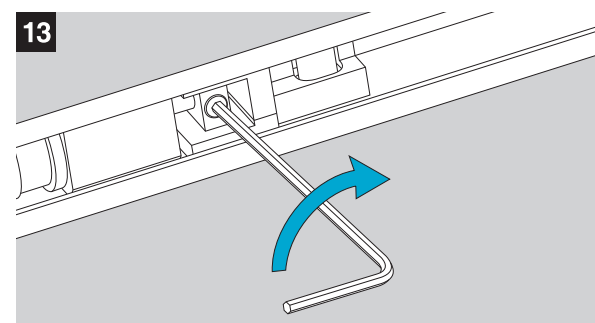
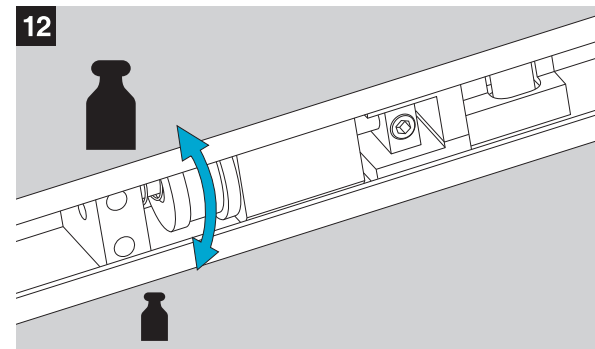
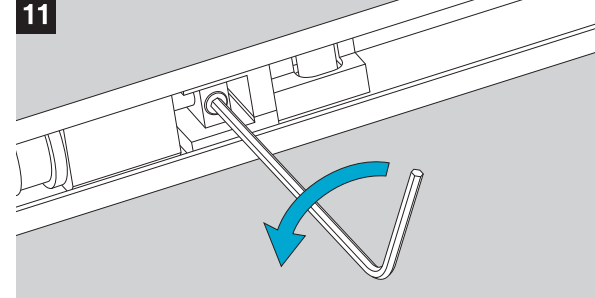
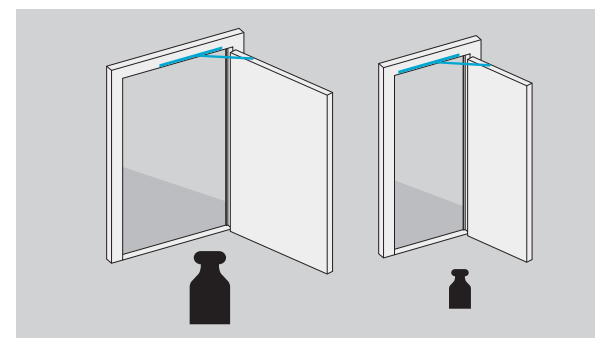
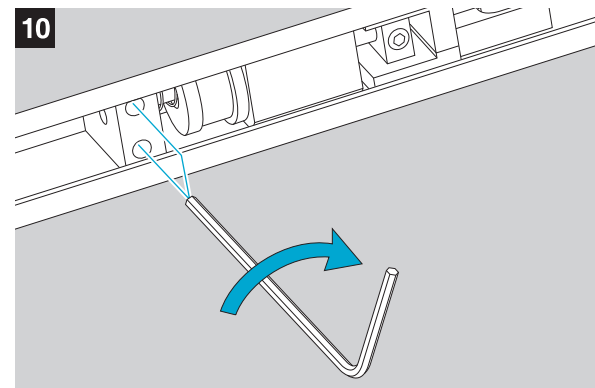
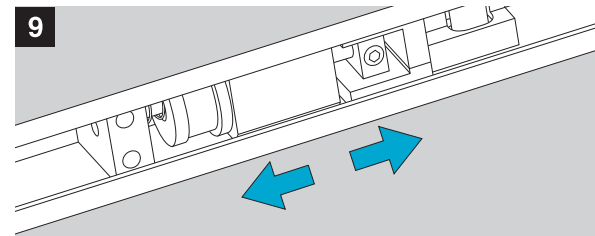
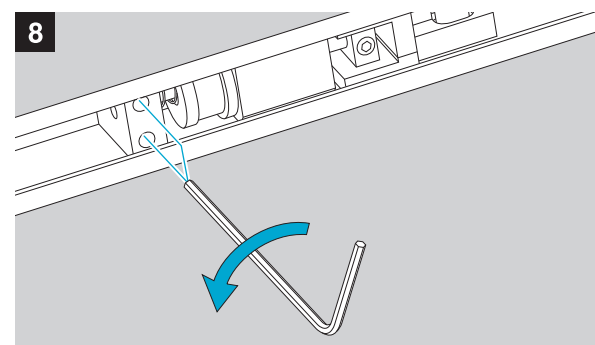
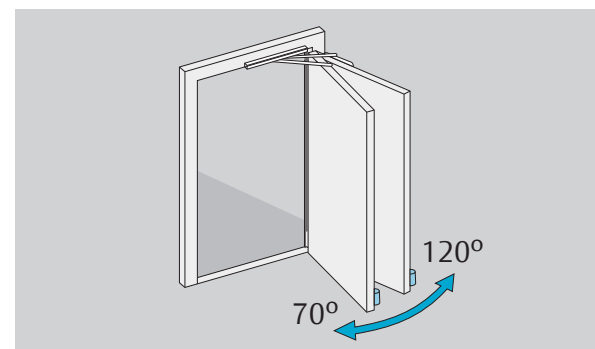
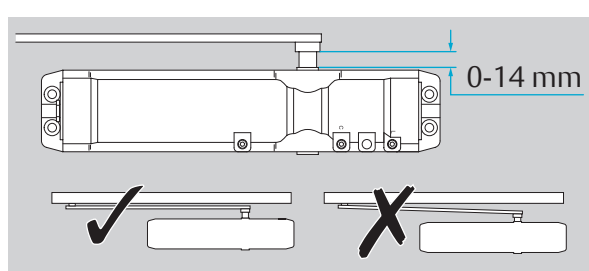
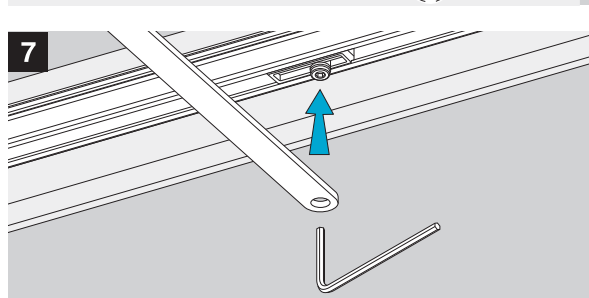
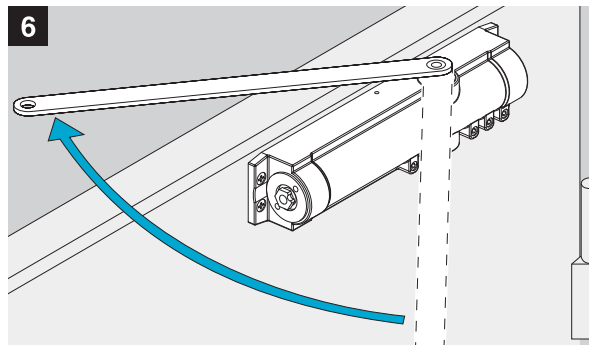
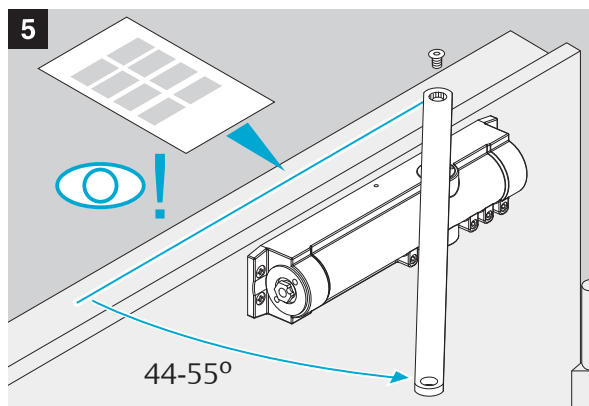
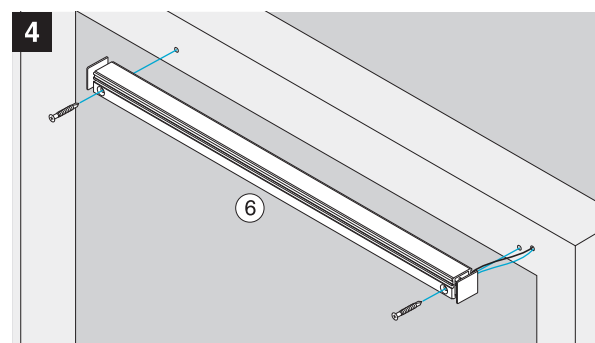
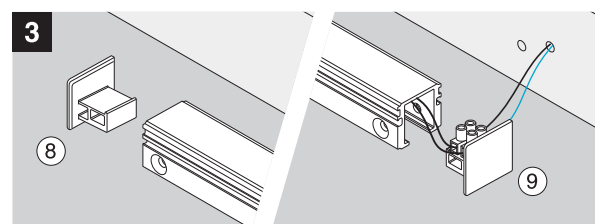
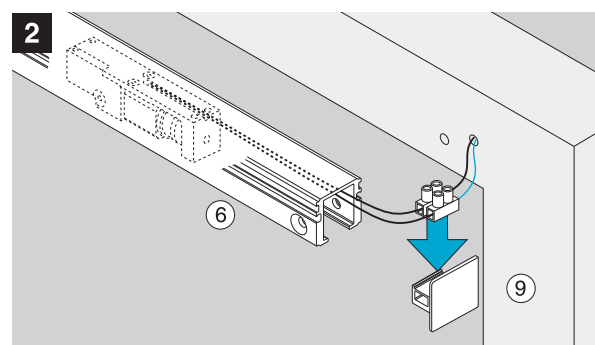
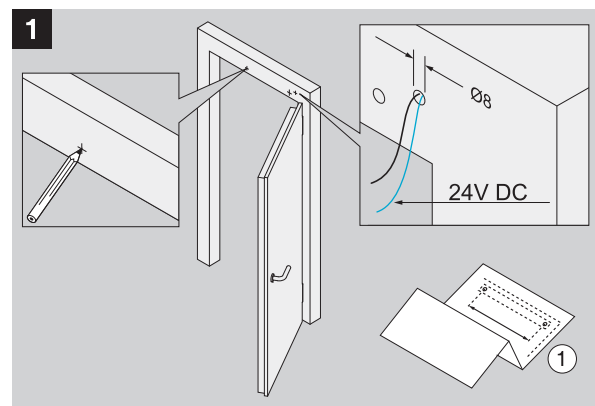
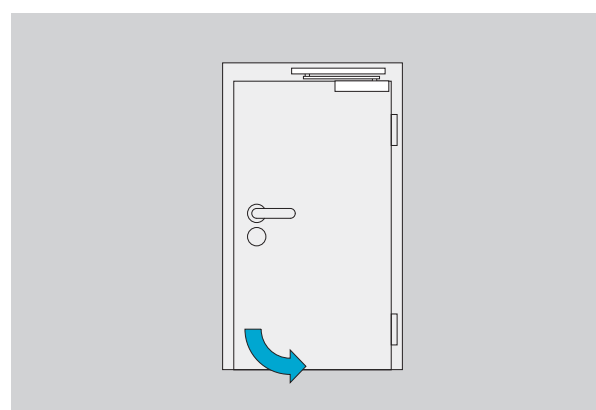
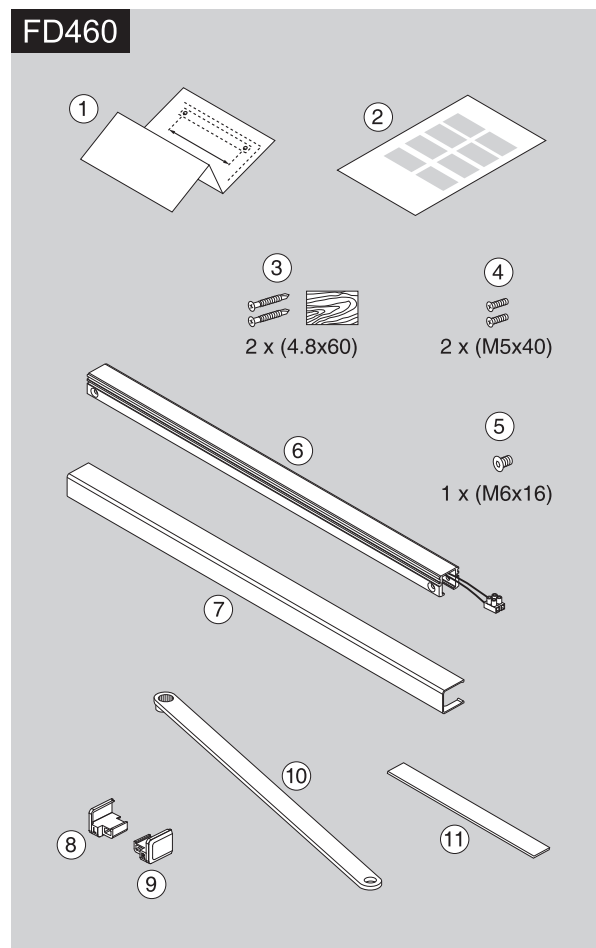


G460 ASSA ABLOY
Installation Instructions

6001017



CE	Abloy Oy, P.O. Box 108, 80101 Joensuu, Finland www.abloy.com/dop	10
	FD460 G460	
EN 1155:1997/A1:2002/AC:2006 0432-CPD-0050	3 8 6 1 1 3	
Dangerous substances: None		



ASSA ABLOY

Abloy Oy
P.O. Box 108
80101 Joensuu
FINLAND
Tel.: +358-20 599 2501
Fax: +358-20 599 2209
www.assaabloy.com
www.abloy.com/dop

5.3.2019