

SENSE+ Management System

ASSA ABLOY
Opening Solutions

ASSA ABLOY SENSE+



ASSA ABLOY SENSE+ Lock

ASSA ABLOY SENSE is a stand-alone battery driven RFID locker lock that supports MIFARE technology. The lock is designed for usage in dry areas, but can be used in wet area applications together with a rubber gasket.

Properties / characteristics

The lock can be retrofitted by utilizing the existing hole footprint/fixings with just an extra hole for the upper M3 screw.

The lock is available in 2 barrel lengths.

- Short version for assembly on doors with 1-15 mm door thickness.
- Long version for assembly on doors with 15-23 mm door thickness.

The lock has 3 card levels:

- User Card
- Janitor / Staff Card
- Master Card

- Up to 100 cards can be registered to each lock.
- The lock has a USB connection to be able to supply the lock with emergency power for access in case of depleted batteries.
- Suitable for use with ASSA ABLOY standard cams. (see separate data sheets)
- Built in torque-overload protected clutch function in handle.

Function

The lock works in 2 different modes. These are:

1. Private Mode

The lock is opened with designated pre-registered cards.

2. Public Mode

The lock can be locked with any compatible card. Once unlocked, the lock is then available for the next user.

ASSA ABLOY SENSE+ Software

The SENSE+ Software is installed locally on your computer and is used to setup and program SENSE+ locks through the Connecting Cable

The SENSE+ Software allows for the following:

- Setup of up to 30 systems
- Unlimited numbers of cards within each system.
- Unlimited numbers of lock settings within each system.
- Time opening for locks in Public Mode
- Opening of locks if mastercards are lost
- Removal of lost cards.
- Audit Trail. Up to 2000 events is stored. The oldest event is replaced by new events once capacity is full.

Use together with Copy/Update Card (Programming kit)

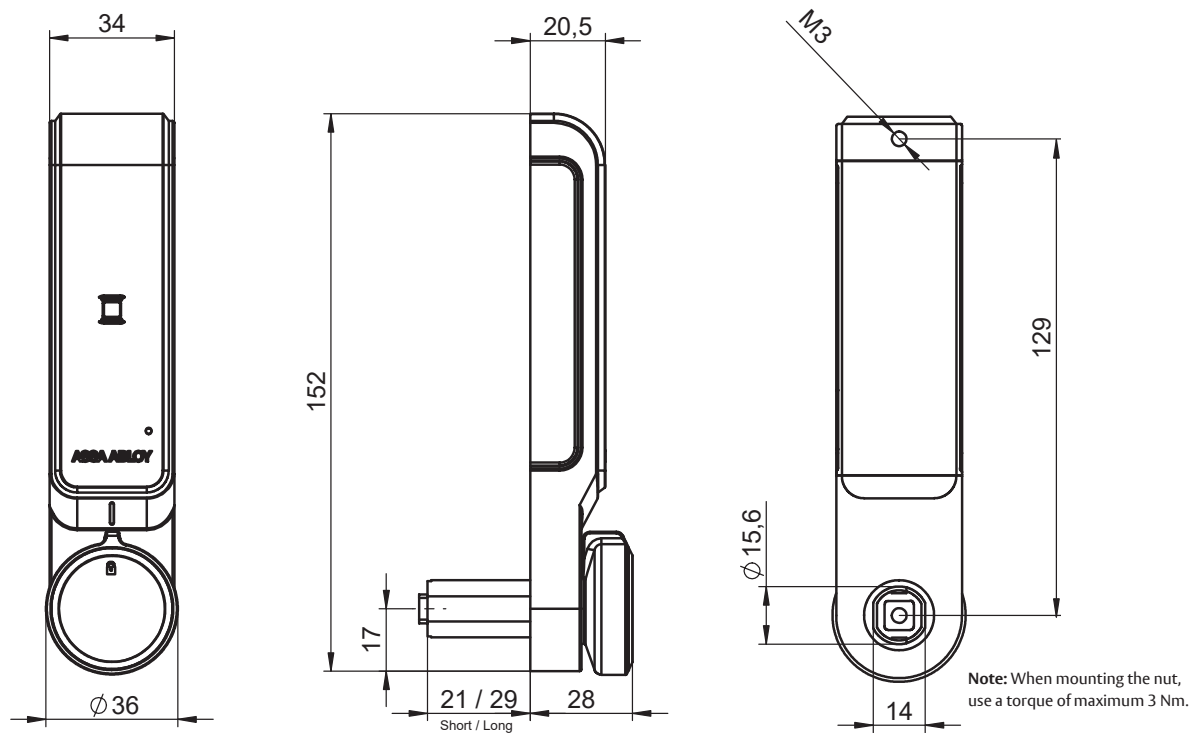
When need to set up, or update a large number of locks, this will become a powerful tool, as only one lock needs to be programmed by the software. The remaining locks can then be programmed accordingly by the copying card. The copying card is part of the SENSE programming kit which can either be purchased separately, but is also included in the SENSE+ SW and Cable kit. (See article numbers on next page)

NOTE: SENSE+ SW and SENSE standard locks are not compatible to each other.

SENSE+ Management System

ASSA ABLOY
Opening Solutions

ASSA ABLOY SENSE+



Technical Data

- Batteries: 3 AAA
Number of openings before battery change may vary based on usage
- USB-port: Micro Type B for use with external power source in case of depleted batteries.

Article numbers Locks and Rubber Gasket	
SENSE+ SHORT	493350 000000
SENSE+ LONG	493351 000000
Rubber Gasket	493390 000000
Article numbers SW and Cable Kit	
SENSE+ SW AND CABLE USB with SW Connecting Cable Programming Kit SENSE (see below)	493353 000000
PROGRAMMING KIT SENSE Add/Remove User Card Add/Remove Master Card Add/Remove Janitor Card Switch Mode Card Copy/Update Lock Setup Card	493391 000000

ASSA ABLOY Opening Solutions Sweden
P.O. Box 371
SE-631 05 Eskilstuna
Sweden

Phone +46 (0)16 17 70 00
Fax +46 (0)16 17 70 49

Customer support:
Phone intl. +46 (0)16 17 71 00
Phone nat. 0771-640 640
Fax +46 (0)16 17 73 72
e-mail: helpdesk.se.openingsolutions@assaabloy.com
www.assaabloyopeningsolutions.se