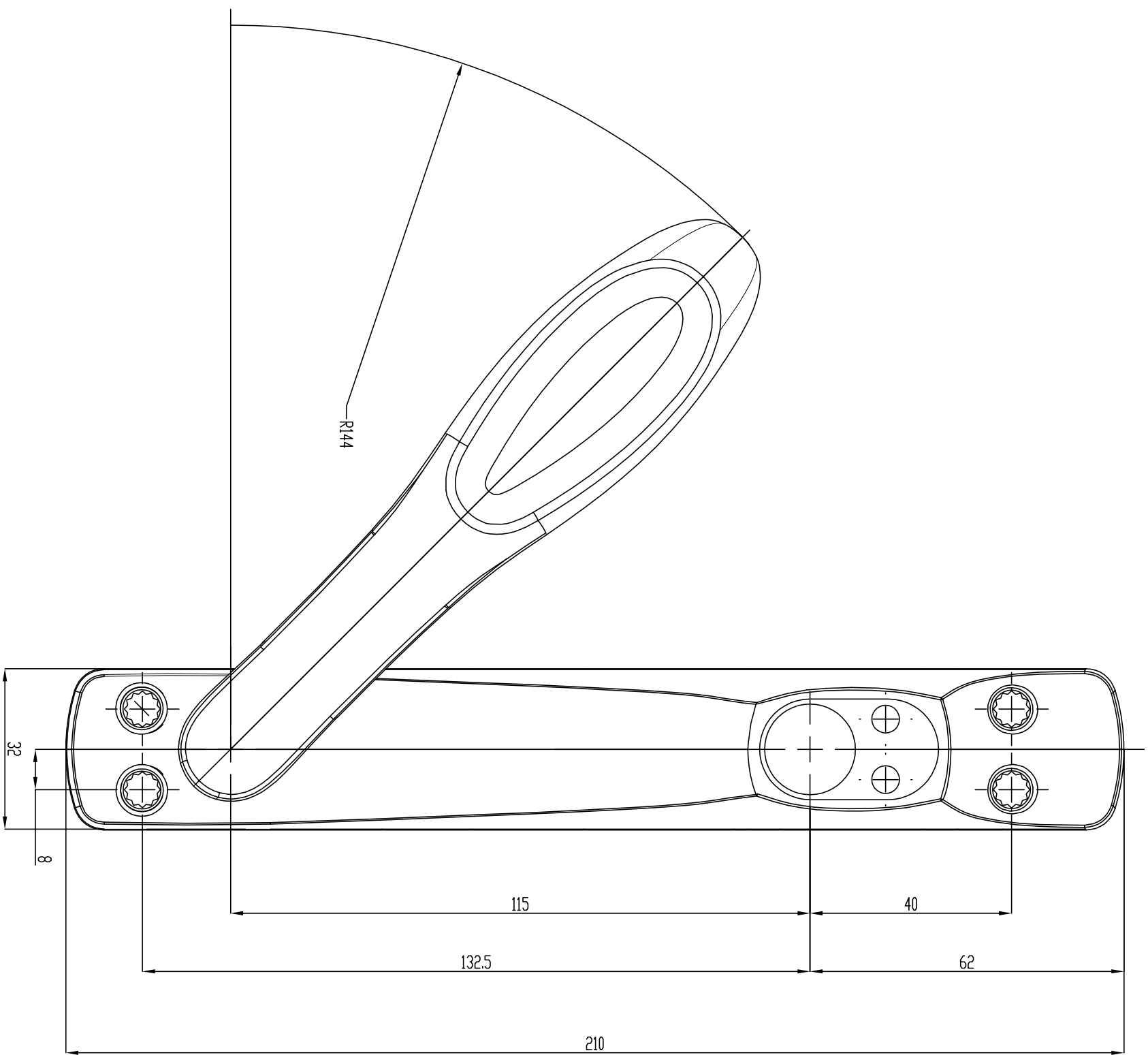
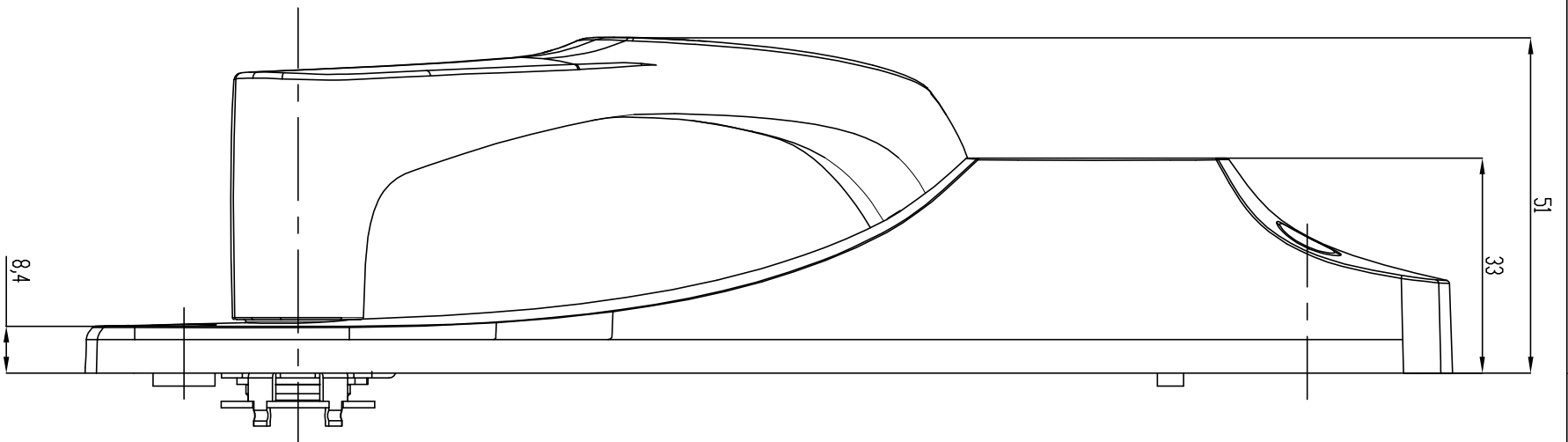


Denna handling får ej utan vårt medgivande kopieras, delges annan eller på annat sätt obehörigen användas. Överträdelse beivras med stöd av gällande lag.

Status "Ingen status (Concept)" = endast för R&D
 Status "Working" = prototyp / produktionsförberedelse
 Status "Pre-release" = verktygsbeställning / provserie

Status "No status (Concept)" = only for R&D
 Status "Working" = prototype / production preparation
 Status "Pre-release" = tool ordering / pre-series production

This document is our property and shall not without our permission be altered, copied, used for manufacturing or communicated to any other person or company.



Date	2012-09-10	Material / tiller size				Hardening / surface treatment				General tol.	ISO 2768-M	General surface			
Designed by	YNER	Drawn by	YNER				EMERGENCY EXIT DEVICE			Projection	1:1	Scale			
ASSA ABLOY					MEASURE DRAWING 179 S3						Drawing number	364867			
Scandinavia					Alt. ID						Item number		000040365	Revision	1
ASSA AB											Drawing number is the valid ID if printed				

Released 120928