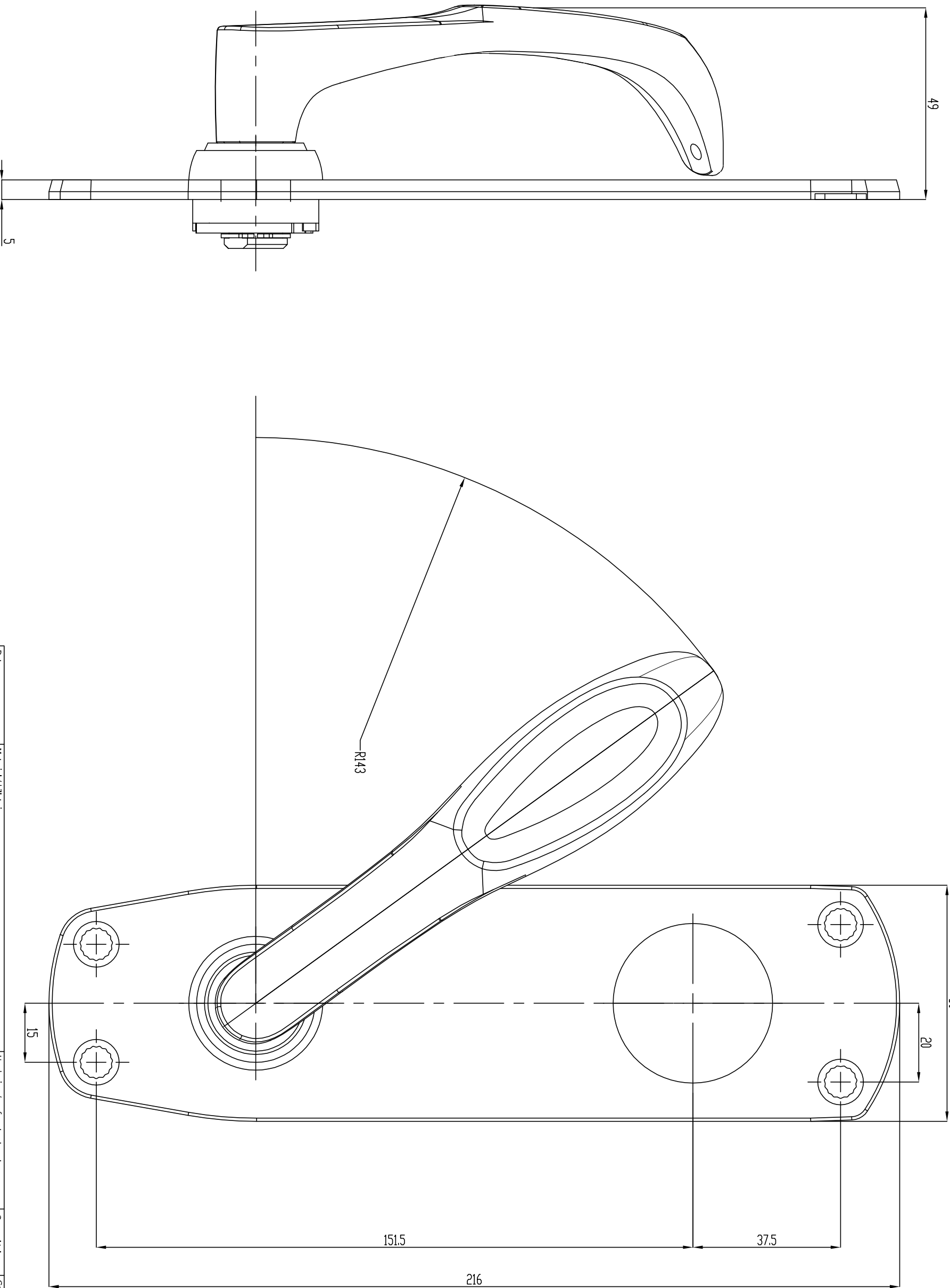


Denna handling får ej utan vårt medgivande kopieras, delges annan eller på annat sätt obehörigen användas. Överträdelse beivras med stöd av gällande lag.

Status "Ingen status (Concept)" = endast för R&D
 Status "Working" = prototyp / produktionsförberedelse
 Status "Pre-release" = verktygsbeställning / provserie

Status "No status (Concept)" = only for R&D
 Status "Working" = prototype / production preparation
 Status "Pre-release" = tool ordering / pre-series production

This document is our property and shall not without our permission be altered, copied, used for manufacturing or communicated to any other person or company.



Date	2012-09-04	Material / tiller size	MATERIAL <NOT SPECIFIED>			Hardening / surface treatment	General tol.	ISO 2768-M	General surface
Designed by	LANY	Drawn by	YNER	EMERGENCY EXIT DEVICE			Projection	1:1	
ASSA ABLOY		MEASURE DRAWING 179-8563			Item number		364864	Scale	
Scandinavia		Alt. ID			Drawing number		000040244	Revision	
ASSA AB		----			Drawing number is the valid ID if printed		1	1	

Released 120927