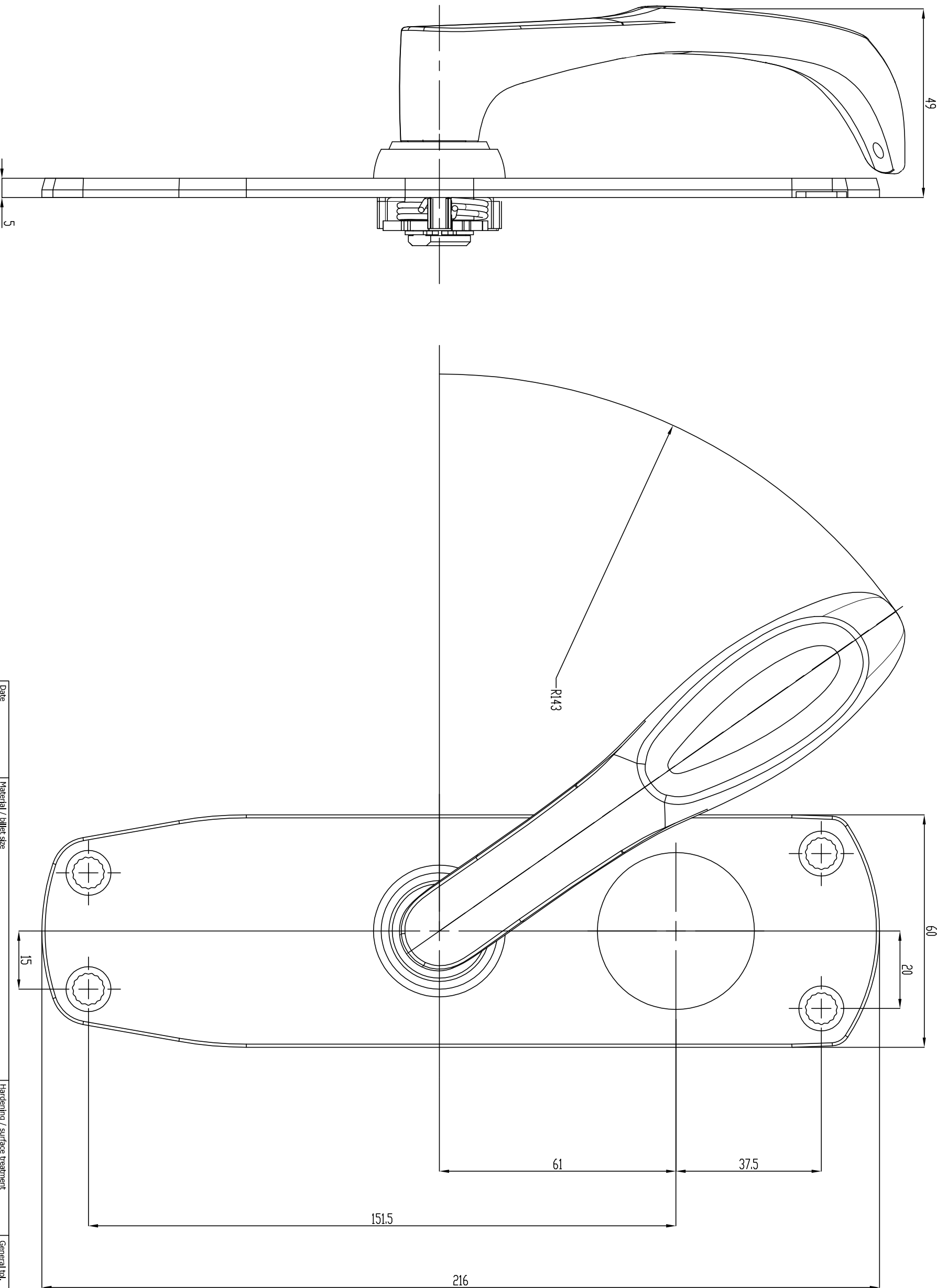


Denna handling får ej utan vårt medgivande kopieras, delges annan eller på annat sätt obehörigen användas. Överträdelse beivras med stöd av gällande lag.

Status "Ingen status (Concept)" = endast för R&D
 Status "Working" = prototyp / produktionsförberedelse
 Status "Pre-release" = verktygsbeställning / provserie

Status "No status (Concept)" = only for R&D
 Status "Working" = prototype / production preparation
 Status "Pre-release" = tool ordering / pre-series production

This document is our property and shall not without our permission be altered, copied, used for manufacturing or communicated to any other person or company.



Date	2012-09-04	Material / tiller size	----	Hardening / surface treatment	----	General tol.	ISO 2768-M	General surface	
Designed by	LANY	Drawn by	YNER			Projection		Scale	1:1
ASSA ABLOY		EMERGENCY EXIT DEVICE				Drawing number	364863	Drawing number is the valid ID if printed	
Scandinavia		MEASURE DRAWING 179 B				Item number	000040233	Revision	
ASSA AB		Alt. ID						1	

Released 120927