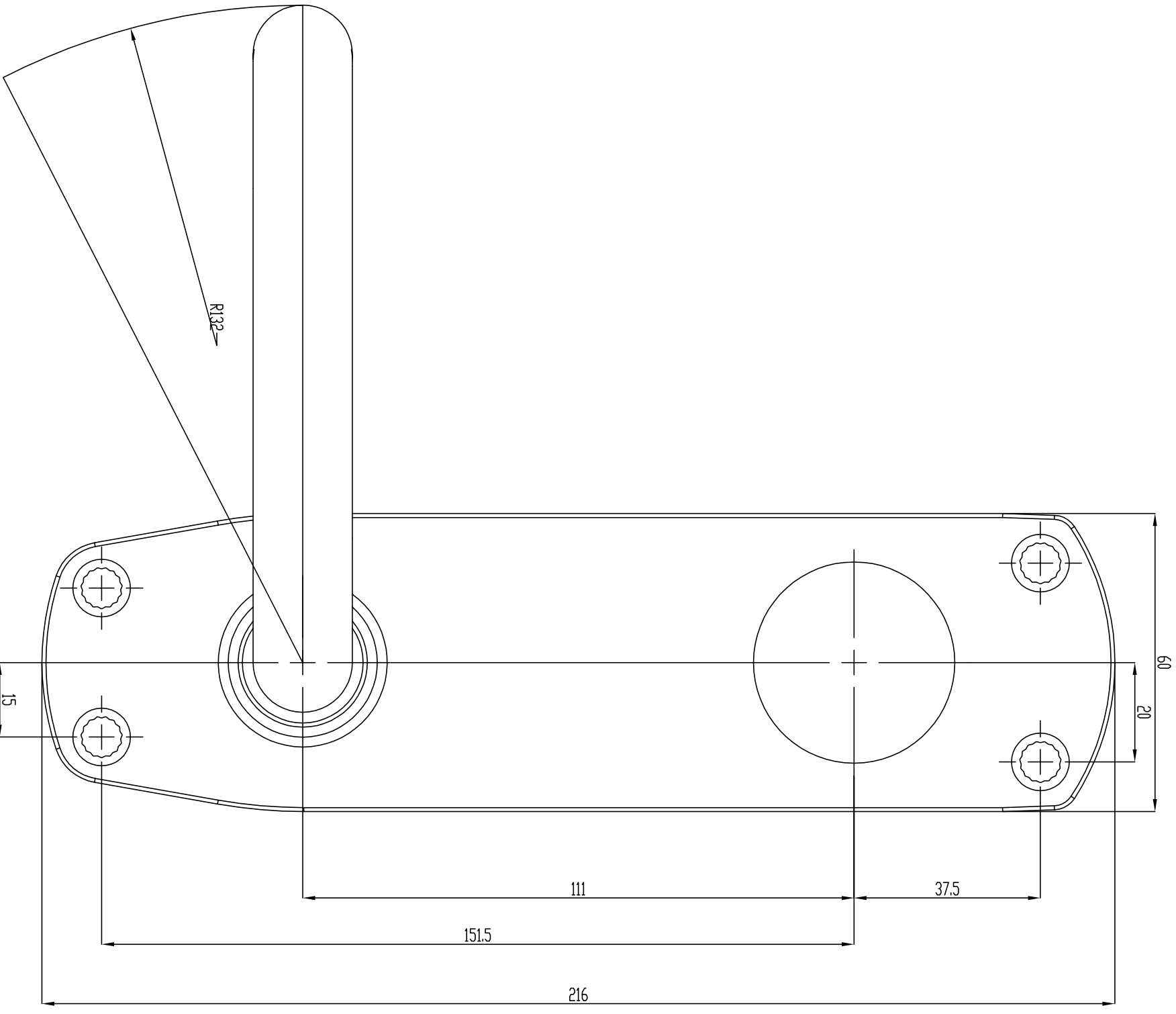
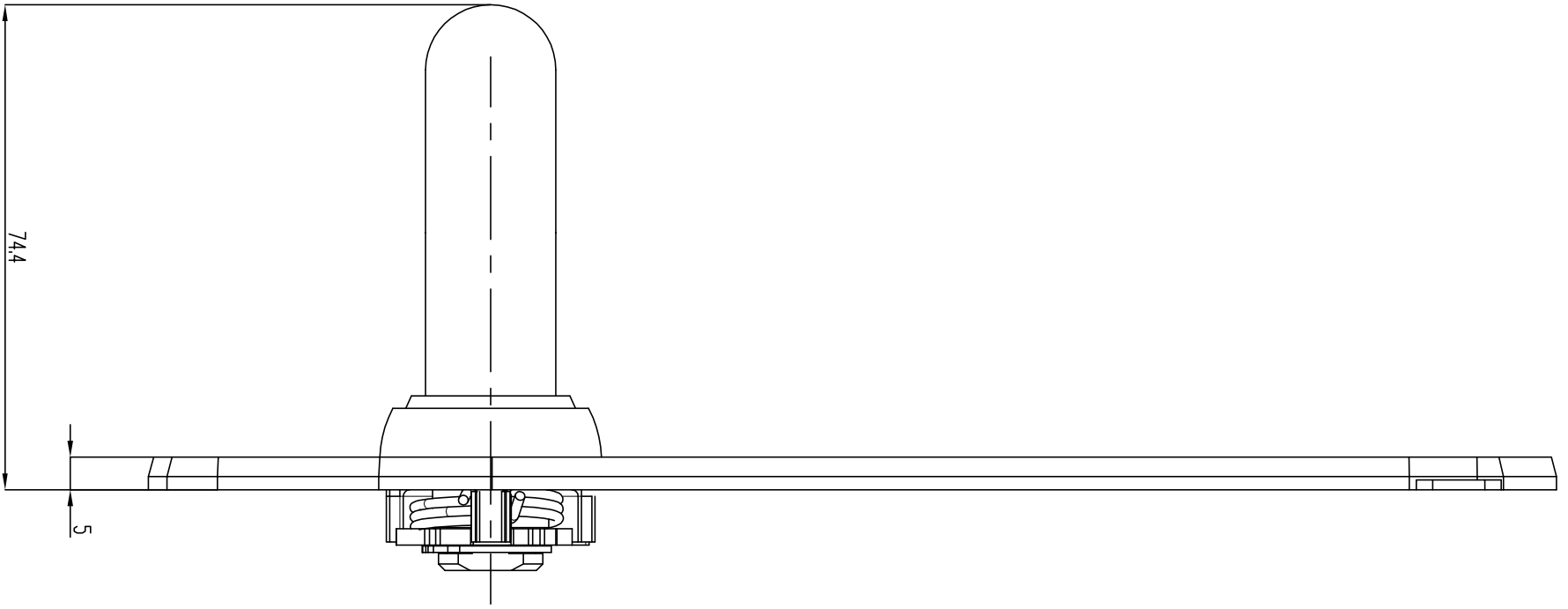


Denna handling får ej utan vårt medgivande kopieras, delges annan eller på annat sätt obehörigen användas. Överträdelse beivras med stöd av gällande lag.

Status "Ingen status (Concept)" = endast för R&D  
 Status "Working" = prototyp / produktionsförberedelse  
 Status "Pre-release" = verktygsbeställning / provserie

Status "No status (Concept)" = only for R&D  
 Status "Working" = prototype / production preparation  
 Status "Pre-release" = tool ordering / pre-series production

This document is our property and shall not without our permission be altered, copied, used for manufacturing or communicated to any other person or company.



Date	2012-09-10	Material / tiller size	-----	Hardening / surface treatment	-----	General tol.	ISO 2768-M	General surface	-----
Designed by	-----	Drawn by	YNER	EMERGENCY EXIT DEVICE MEASURE DRAWING 179 E		Projection	1:1	Scale	1:1
Scandinavia ASSA AB		ASSA ABLOY		Alt. ID	-----	Drawing number	364866	Revision	1
				Item number	000040362	Drawing number is the valid ID if printed			

Released 120927