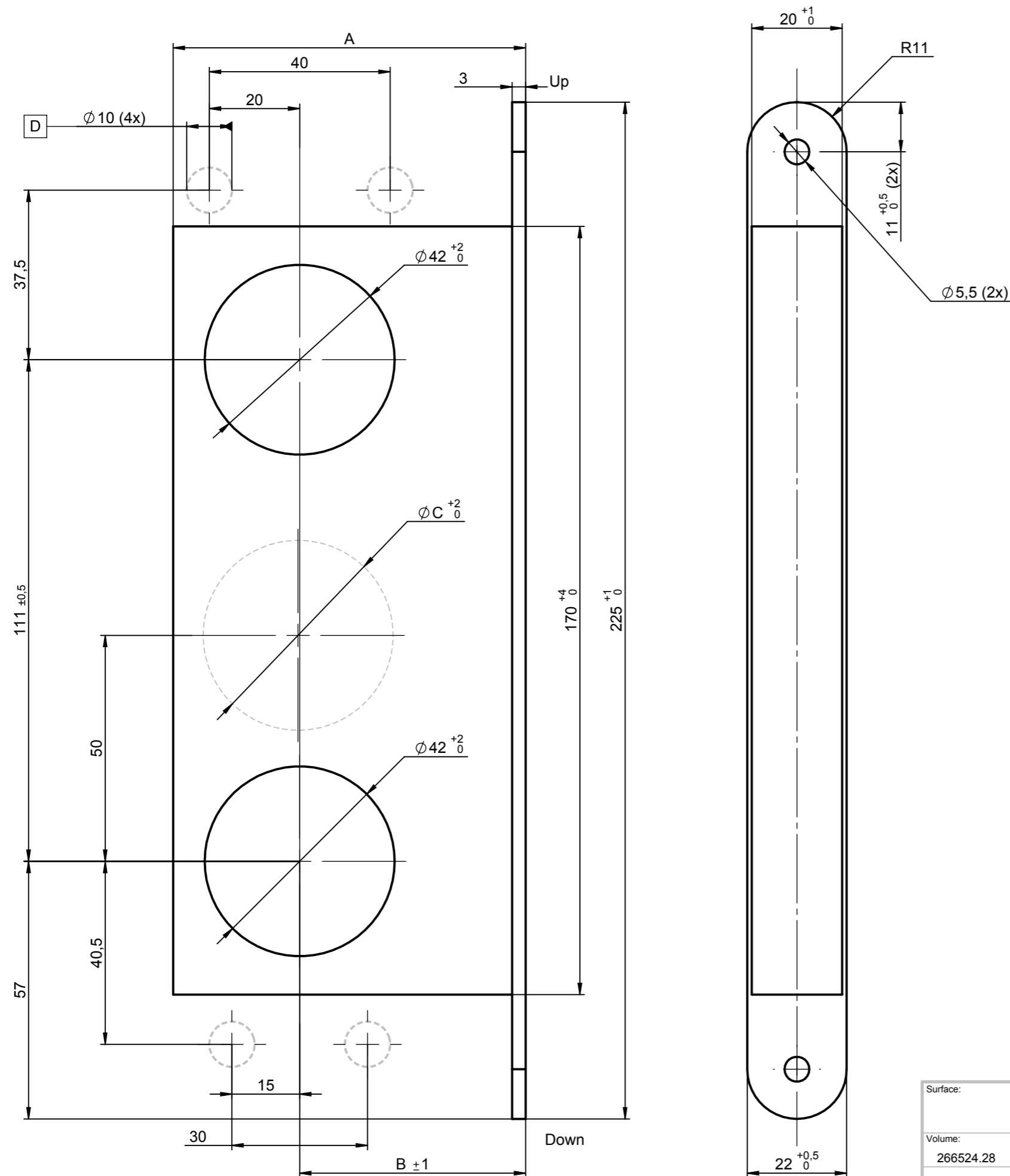


This document is our property and shall not without our permission be altered, copied, used for manufacturing or communicated to any other person or company.

Revision	Date	Sign
4	2015-02-06	MaHi



Backset dimension		
Backset	A (mm)	B (mm)
50	78 MIN	50
70	98 MIN	70

Centre cut	
Lock type	C (mm)
SS-EN 1125	24
SS-EN 179	42
ASSA 2002	24
ASSA 2500	24

D - Holes pertaining to this dimension refer to accompanying fitting for lock cases in the SS-EN 179 series

Dimensions and tolerances in accordance with SS817383 unless otherwise specified

Surface:		Material:		General tolerance: ISO 2768-1m	
Volume: 266524.28	Weight: 266.52	Surface area: 46658.65 mm ²	created:	designed by: MaHi	changed by: JoHi
ASSA ABLOY ASSA OEM			Mortise drawing Connect -50 -70		Scale: 1:2 (A3)
					Projection:
			Drawing number: 357992		Revision: 4
			Document: Item number: 01 D000017120		