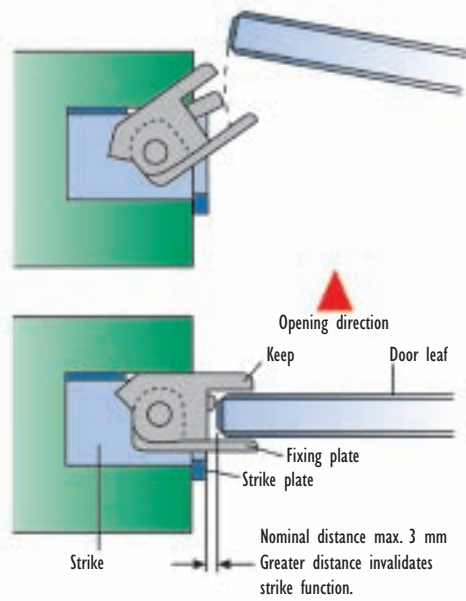


Function of our strikes for glass doors



Model 914U

with and without flat striking plate
(striking plate no. 403)

Technical data

Intrusion resistance (standard)	3700 N
Housing material: housing/keep	Die-cast zinc/Brass
Operating temperature range	-15 °C to +40 °C
Installation irrespective of position	Yes

Electrical data at 20 °C

	12 V eE	24 V eE
Rated operating voltage tolerance range	± 1 V	± 2 V
Nominal resistance	57.5 Ohm	230.0 Ohm
AC consumption	130 mA	70 mA
DC consumption (50% residual ripple)	190 mA	100 mA
DC consumption (stabilised)	210 mA	105 mA
Operating sound in AC mode	3	3
Operating sound in DC mode (50% residual ripple)	0	0
Max. keep preload for AC	50 N	50 N
Max. keep preload for DC (50% residual ripple)	10 N	10 N
Max. keep preload for DC (stabilised)	10 N	10 N

