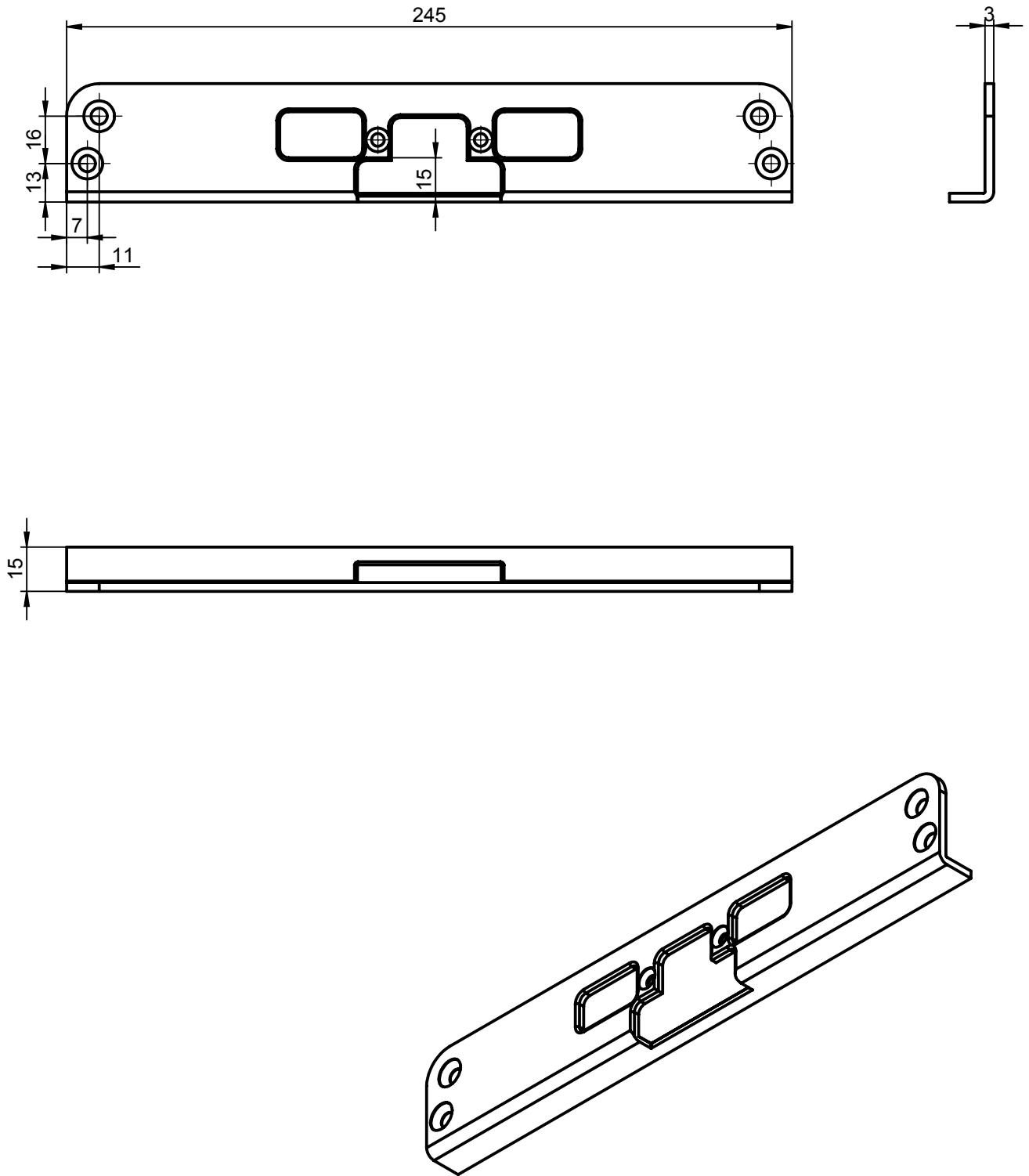


This document is our property and shall not without our permission be altered, copied, used for manufacturing or communicated to any other person or company.



Surface:			Material:			General tolerance: ISO 2768-fH		
Volume: 30121.72 mm ³	Weight: 30.12 gram	Surface area: 23219.48 mm ²	created: 2013-06-24	designed by: JoEr	changed by: JoEr	Scale: 1:5 (A4)	Projection: 	
ASSA ABLOY ASSA AB			Mounting component 930-T 710.500-00-23-1-1000			Drawing number: 01 D000055848 <small>is the valid ID if displayed</small>		
						Document: 01	Item number: D000055848	Revision: 1