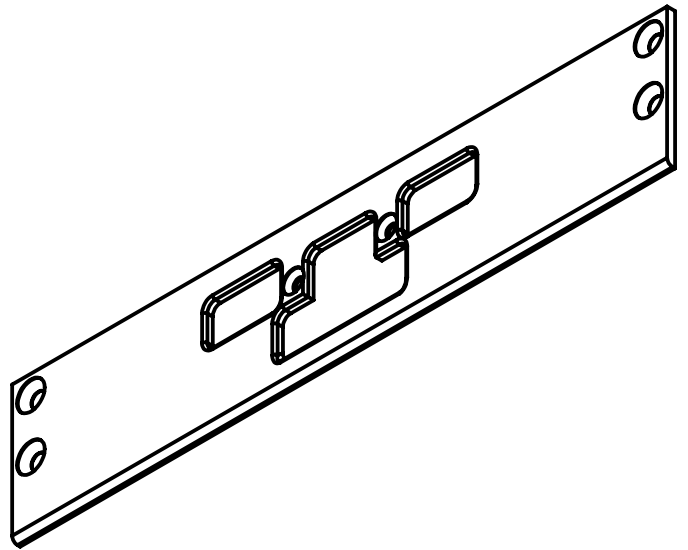
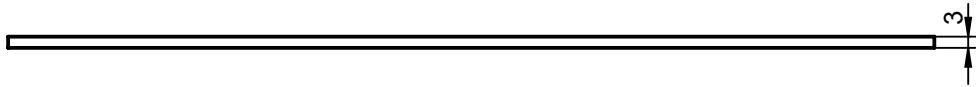
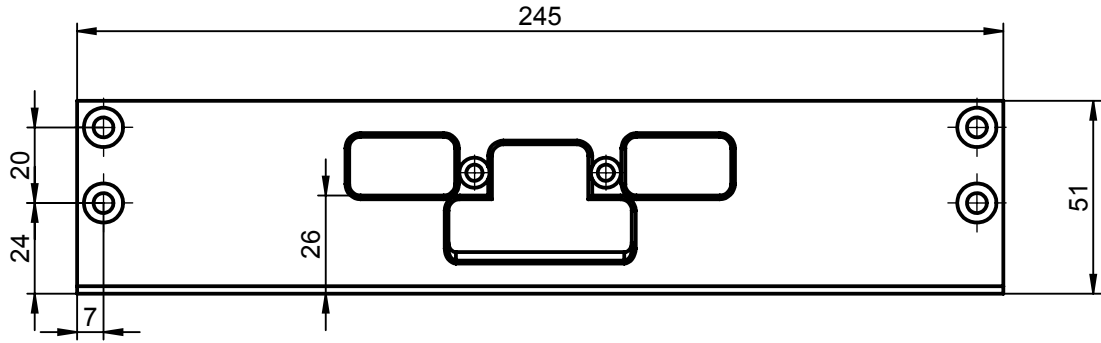


This document is our property and shall not without our permission be altered, copied, used for manufacturing or communicated to any other person or company.



Surface:			Material:			General tolerance: ISO 2768-fH		
Volume: 30564.13 mm ³	Weight: 30.56 gram	Surface area: 23502.48 mm ²	created: 2013-06-20	designed by: JoEr	changed by: JoEr	Scale: 1:5 (A4)	Projection: 	
ASSA ABLOY ASSA AB			Mounting component 931-26 710.500-00-25-1-1000			Drawing number: is the valid ID if displayed		
						Document: 01	Item number: 000055726	Revision: 1