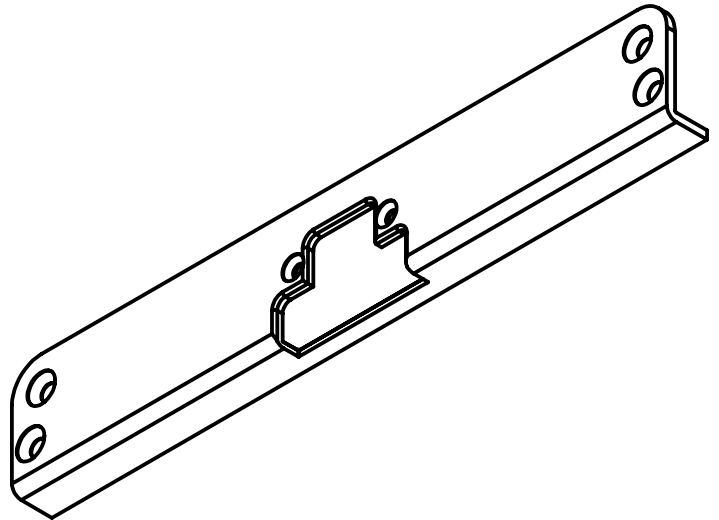
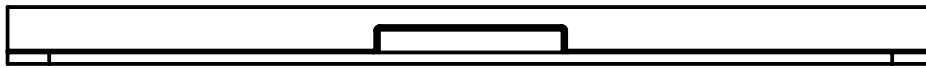
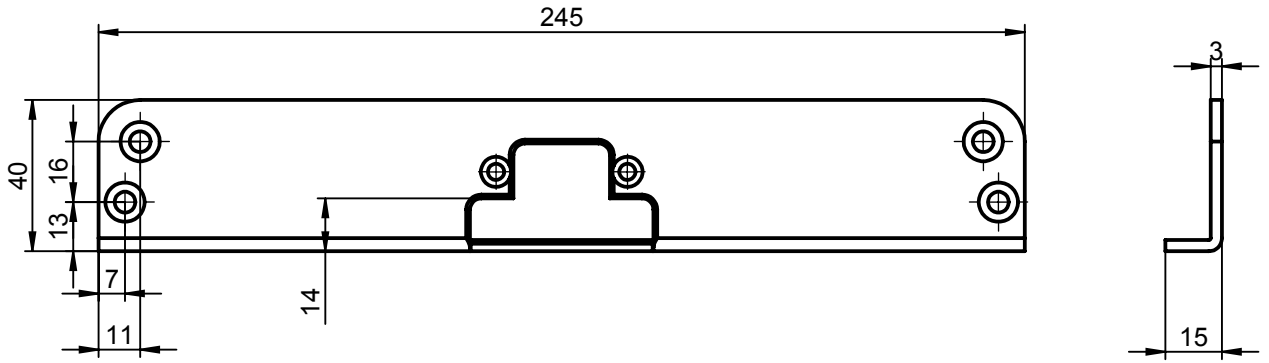


This document is our property and shall not without our permission be altered, copied, used for manufacturing or communicated to any other person or company.



Surface:			Material:			General tolerance: ISO 2768-fH		
Volume: 32715.12 mm <sup>3</sup>	Weight: 32.72 gram	Surface area: 24502.85 mm <sup>2</sup>	created: 2013-06-27	designed by: JoEr	changed by: JoEr	Scale: 1:5 (A4)	Projection:	
<b>ASSA ABLOY</b> ASSA AB			Mounting component 932-T 710.500-00-27-1-1000			Drawing number: <span style="color: red;">is the valid ID if displayed</span>		
						Document: 01	Item number: 000055999	Revision: 1