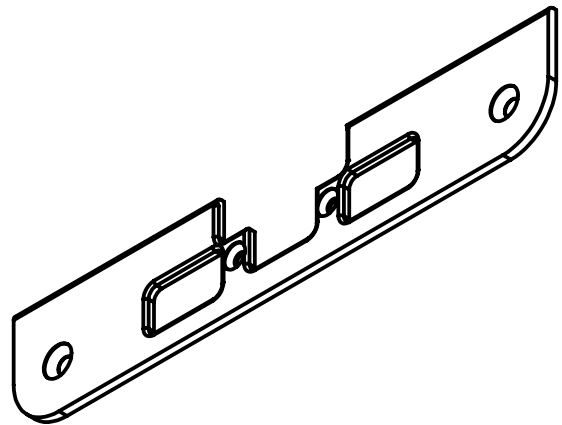
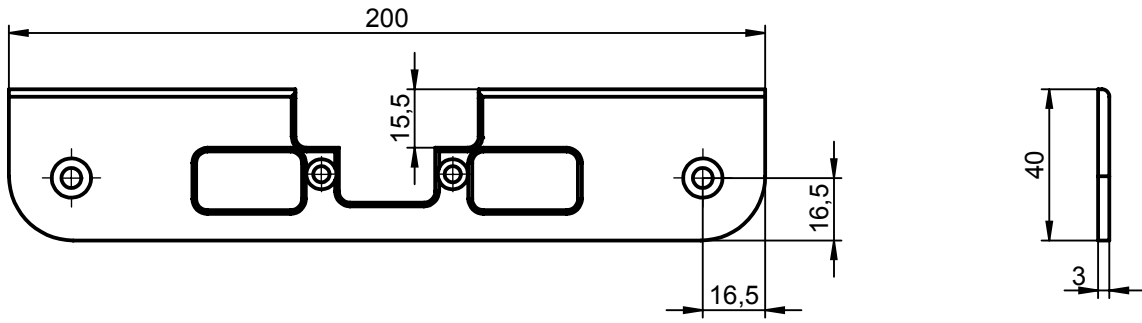


This document is our property and shall not without our permission be altered, copied, used for manufacturing or communicated to any other person or company.



Surface:			Material:			General tolerance: ISO 2768-fH		
Volume: 17060.36 mm <sup>3</sup>	Weight: 17.06 gram	Surface area: 13622.98 mm <sup>2</sup>	created: 2013-07-02	designed by: JoEr	changed by: JoEr	Scale: 1:2 (A4)	Projection:	
<b>ASSA ABLOY</b> ASSA AB			Mounting component 9487-2 710.500-00-32-1-1000			Drawing number: <span style="color: red;">is the valid ID if displayed</span>		
						Document: 01	Item number: 000056170	Revision: 1