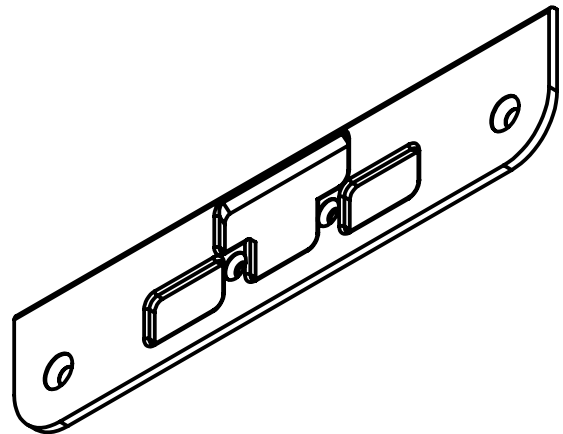
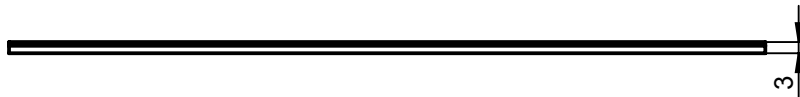
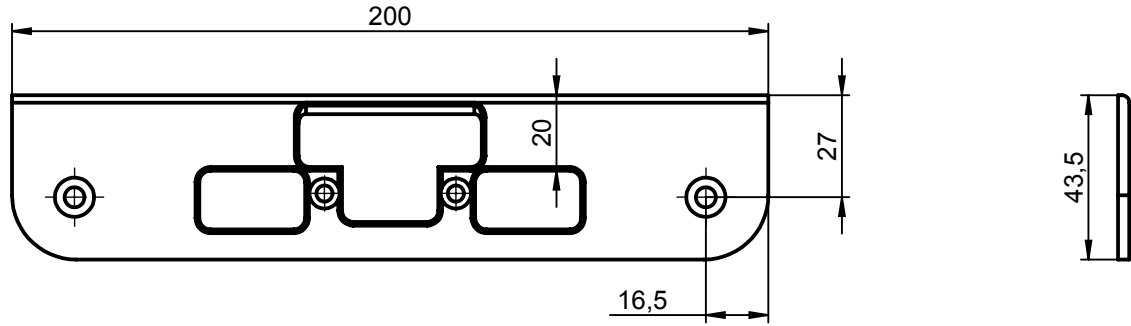


This document is our property and shall not without our permission be altered, copied, used for manufacturing or communicated to any other person or company.



Surface:			Material:			General tolerance: ISO 2768-fH		
Volume: 19158.72 mm ³	Weight: 19.16 gram	Surface area: 15355.80 mm ²	created: 2013-07-02	designed by: JoEr	changed by: JoEr	Scale: 1:2 (A4)	Projection:	
ASSA ABLOY ASSA AB			Mounting component 9487-3 710.500-00-33-1-1000			Drawing number: 01 000056171 1 is the valid ID if displayed		
						Document: 01	Item number: 000056171	Revision: 1