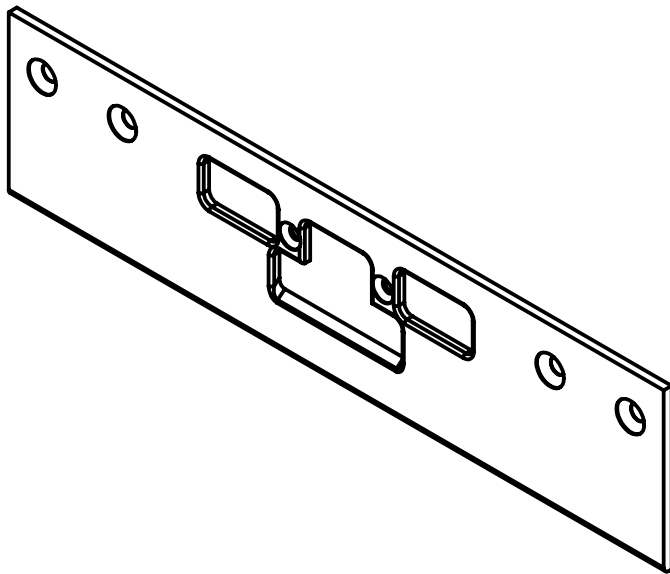
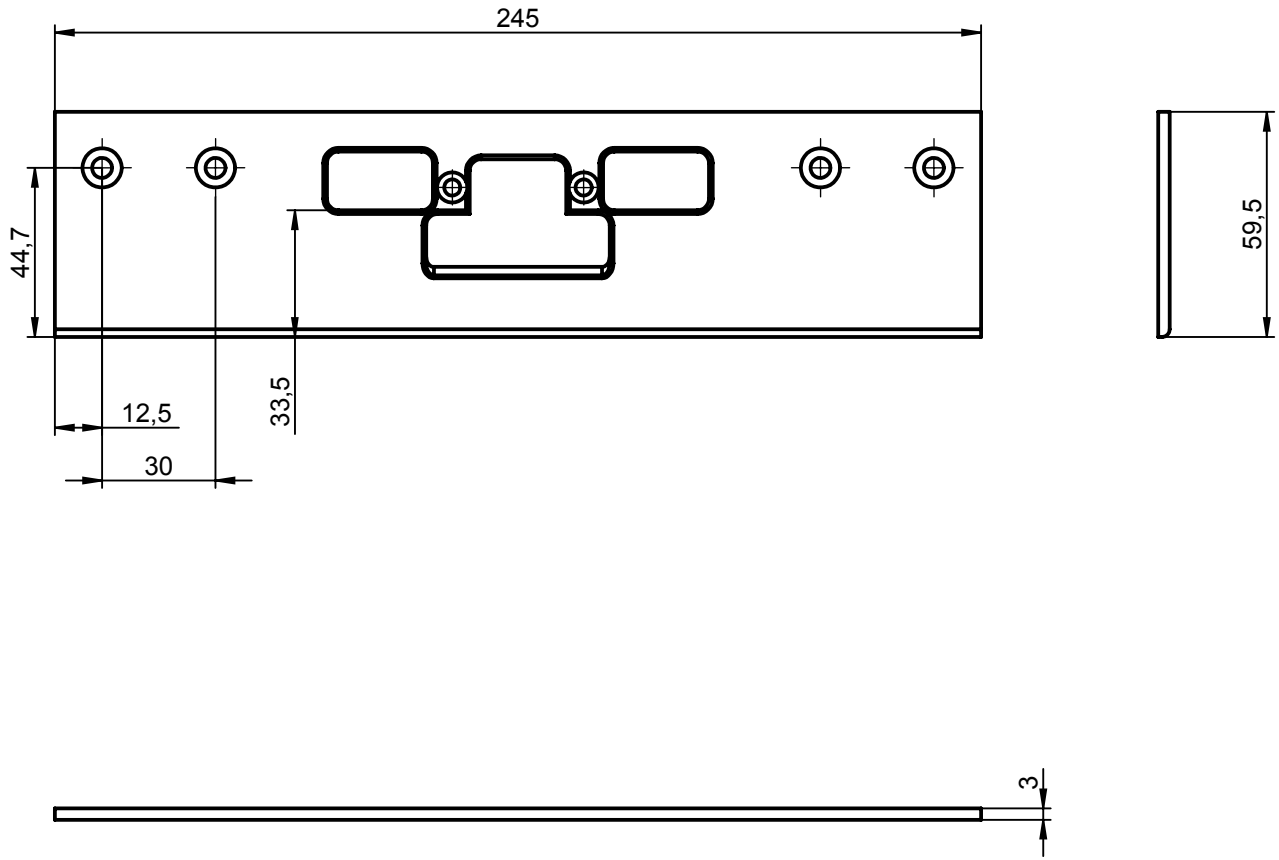


This document is our property and shall not without our permission be altered, copied, used for manufacturing or communicated to any other person or company.



Surface:			Material:			General tolerance: ISO 2768-fH		
Volume: 36811.62 mm <sup>3</sup>	Weight: 36.81 gram	Surface area: 27718.48 mm <sup>2</sup>	created: 2013-07-01	designed by: JoEr	changed by: JoEr	Scale: 1:5 (A4)	Projection:	
<b>ASSA ABLOY</b> ASSA AB			Mounting component 970 710.500-00-60-1-1000			Drawing number: <b>01 D000056139</b> <span style="color: red;">is the valid ID if displayed</span>		
						Document: <b>01</b>	Item number: <b>D000056139</b>	Revision: <b>1</b>