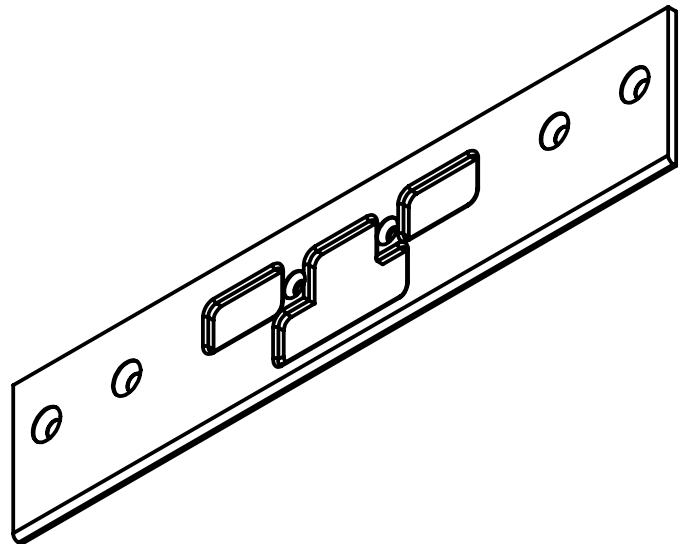
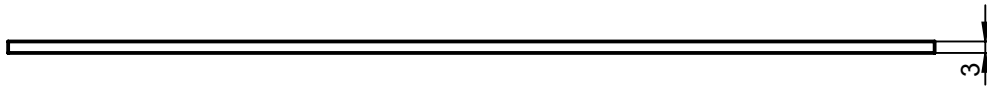
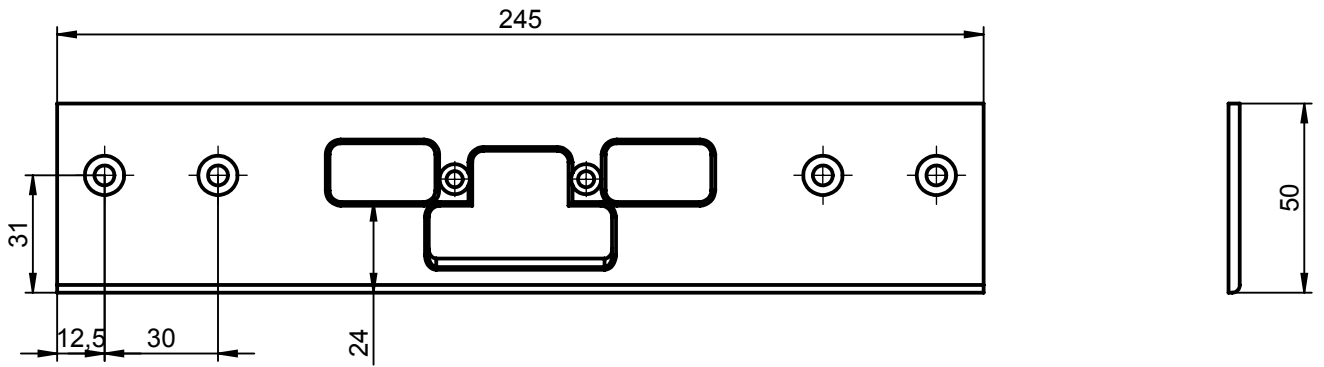


This document is our property and shall not without our permission be altered, copied, used for manufacturing or communicated to any other person or company.



| | | | | | | | | |
|-------------------------------------|-----------------------|-------------------------------------------|---------------------------------------------------|----------------------|---------------------|----------------------------------------------------------------------------------|-----------------------------------|-----------------------|
| Surface: | | | Material: | | | General tolerance: ISO 2768-fH | | |
| Volume: 29829.11 mm ³ | Weight: 29.83 gram | Surface area: 23006.48 mm ² | created: 2013-07-02 | designed by: JoEr | changed by: JoEr | Scale: 1:5 (A4) | Projection: | |
| ASSA ABLOY ASSA AB | | | Mounting component 980 710.500-00-67-1-1000 | | | Drawing number: 01 D000056164 <small>is the valid ID if displayed</small> | | |
| | | | | | | Document: 01 | Item number: D000056164 | Revision: 1 |