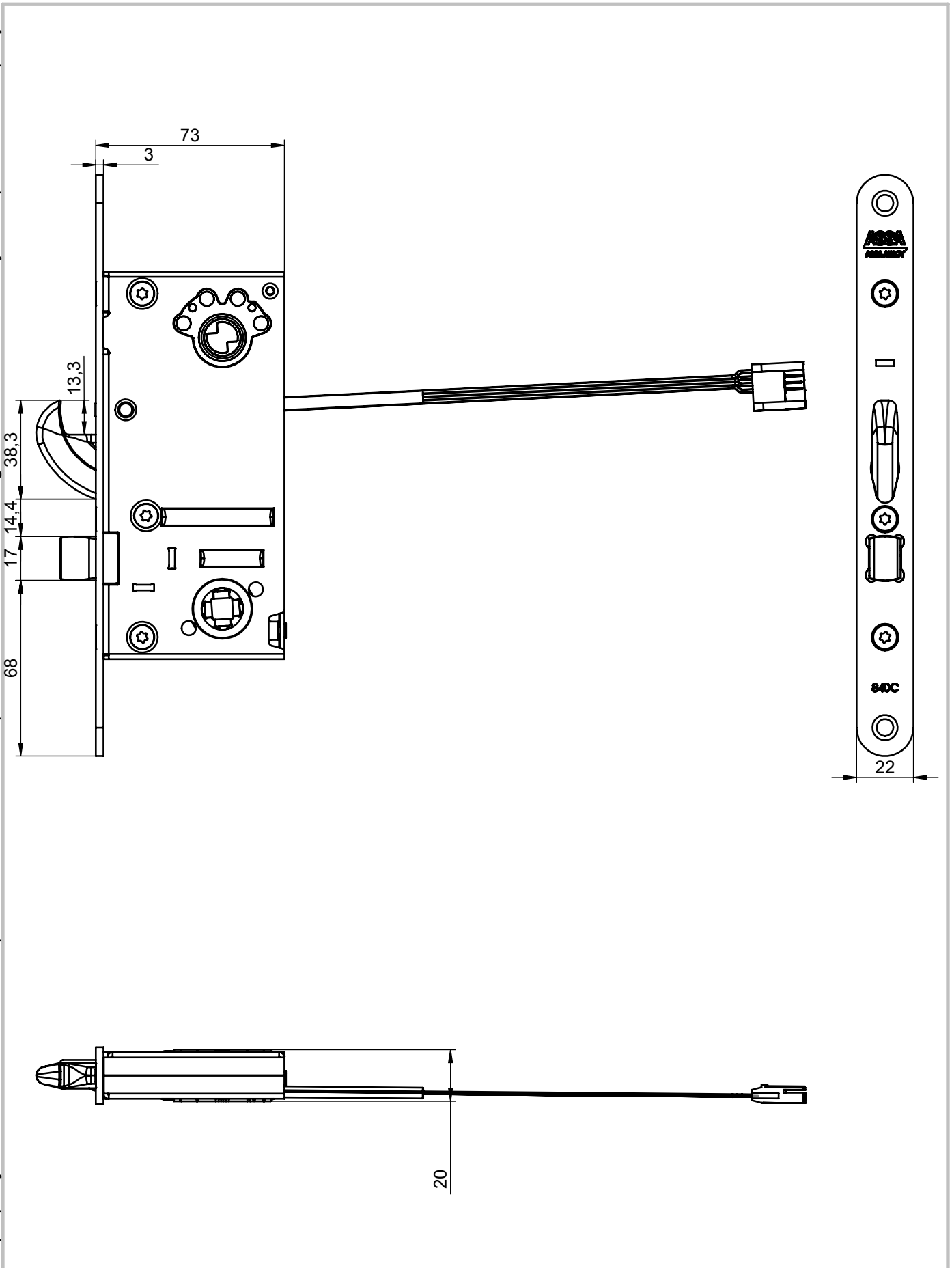


This document is our property and shall not without our permission be altered, copied, used for manufacturing or communicated to any other person or company.



| | | | | | |
|------------------------------|---------|--------------------------|---|--------------------|-------------|
| Surface: | | Material: | | General tolerance: | |
| | | Material <not specified> | | ISO 2768-mH | |
| Volume: | Weight: | Surface area: | created: | designed by: | changed by: |
| 126491.13 | 777.24 | | 2012-04-02 | LaJe | LaJe |
| ASSA ABLOY ASSA AB | | | Electromechanical lock Sashlock. Subassembly 840C -50 | | |
| | | | Scale: | Projection: | Rev.: |
| | | | 1:5 (A4) | | 1 |
| | | | Alternate ID | Document ID | |
| | | | | D000037810 | |