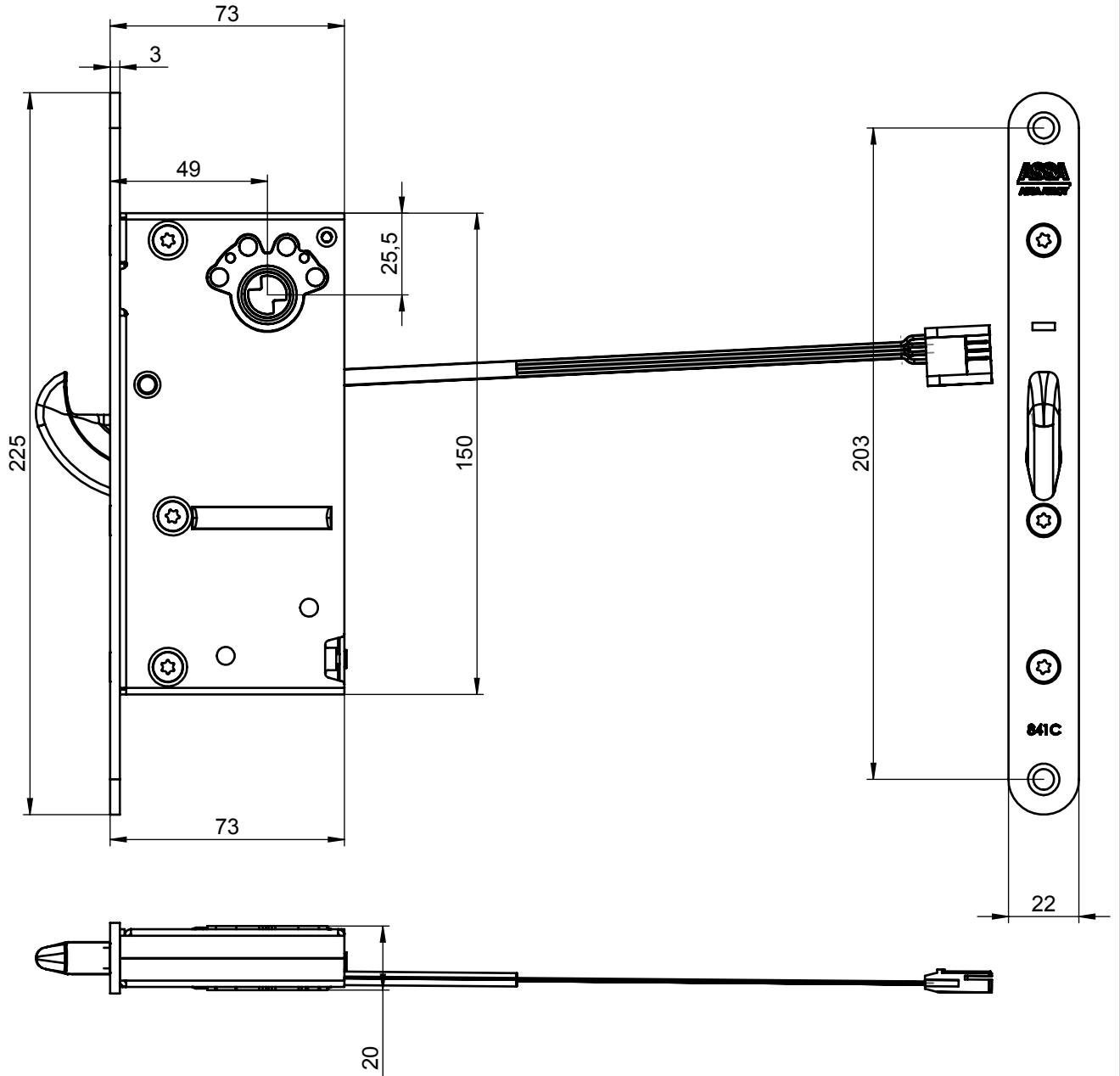


This document is our property and shall not without our permission be altered, copied, used for manufacturing or communicated to any other person or company.



Surface:			Material: Material <not specified>			General tolerance: ISO 2768-mH		
Volume: 116131.75	Weight: 763.57	Surface area:	created: 2012-06-01	designed by: LaJe	changed by: LaJe	Scale: 1:5 (A4)	Projection:	
ASSA ABLOY ASSA AB			Electromechanical lock Deadlock. Subassembly 841C -50			Alternate ID		Rev.: 1
						Document ID D000037857		