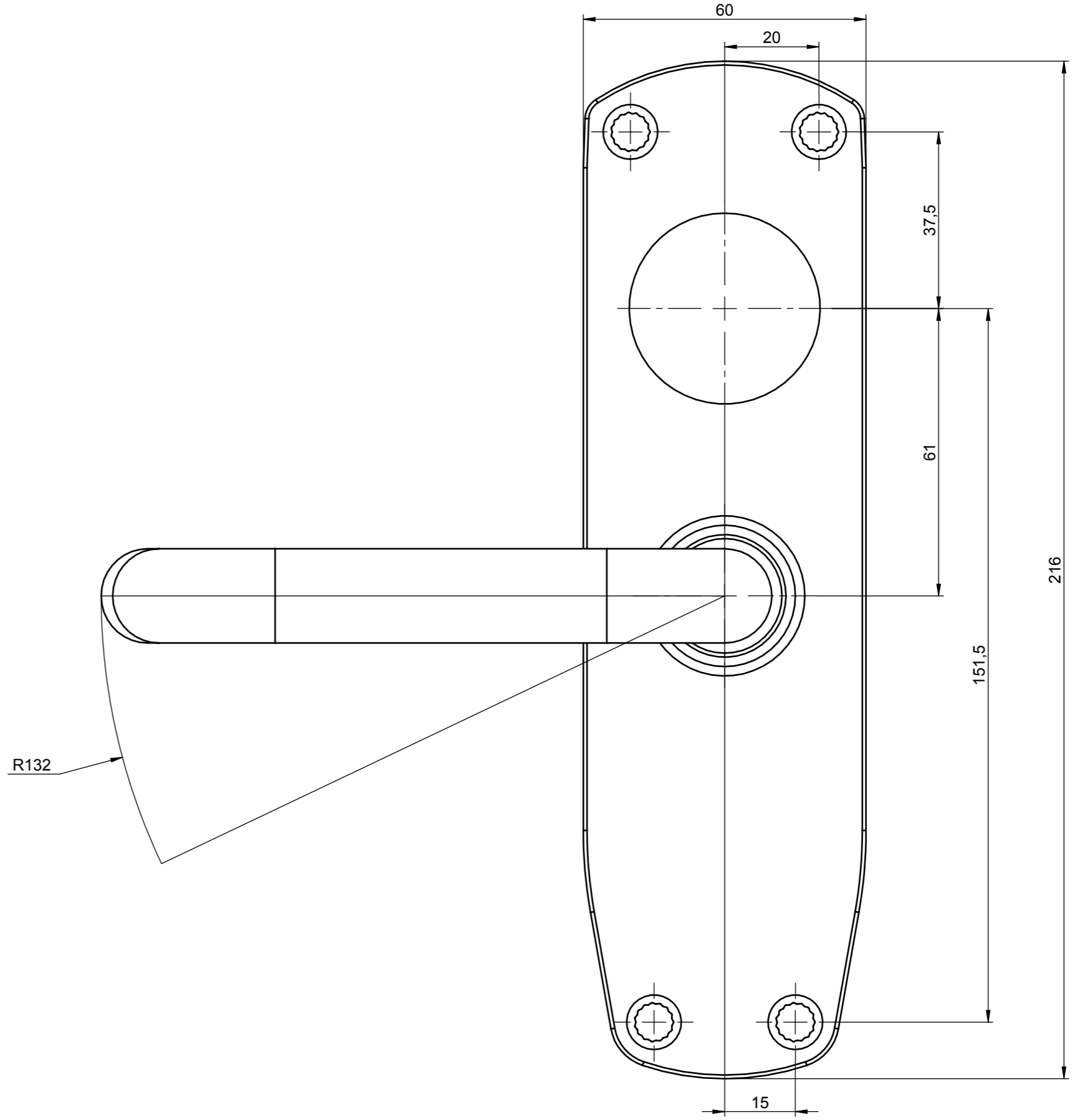
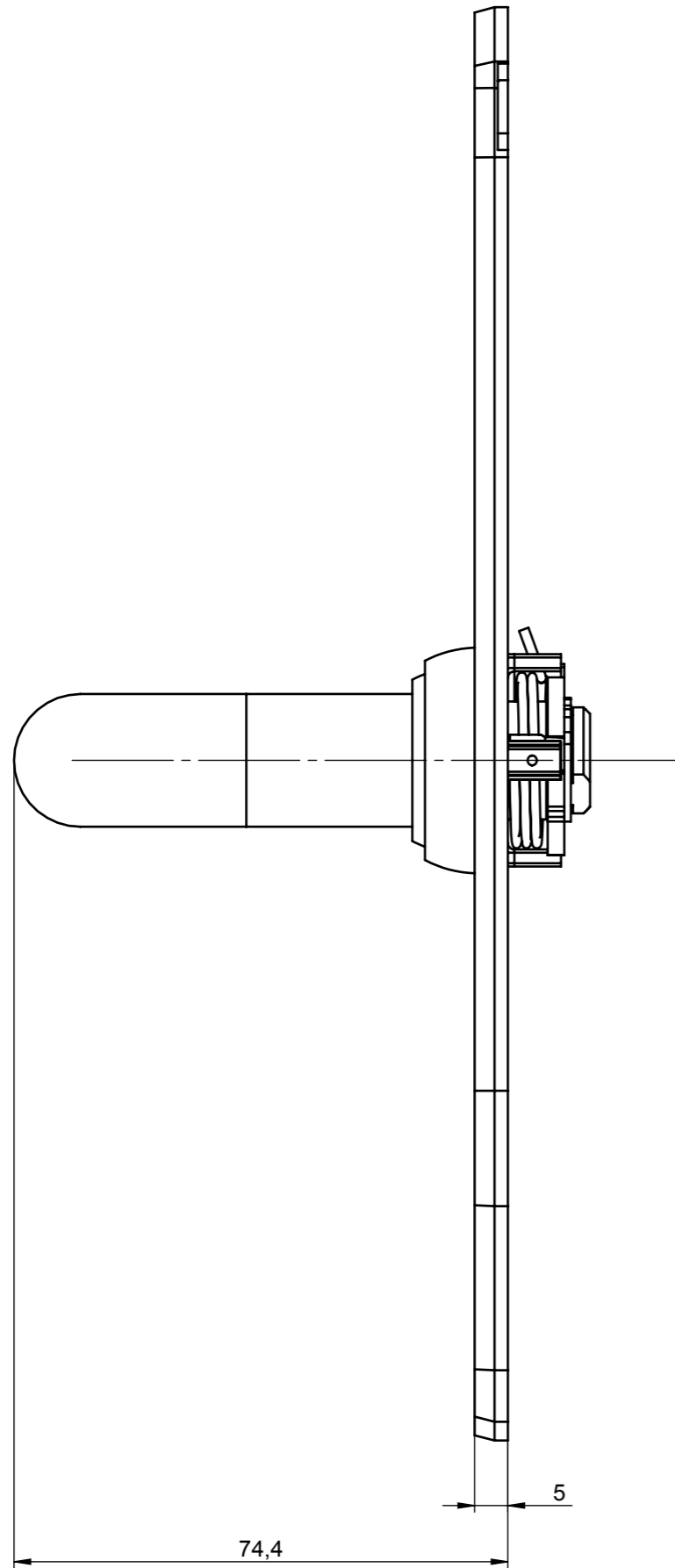
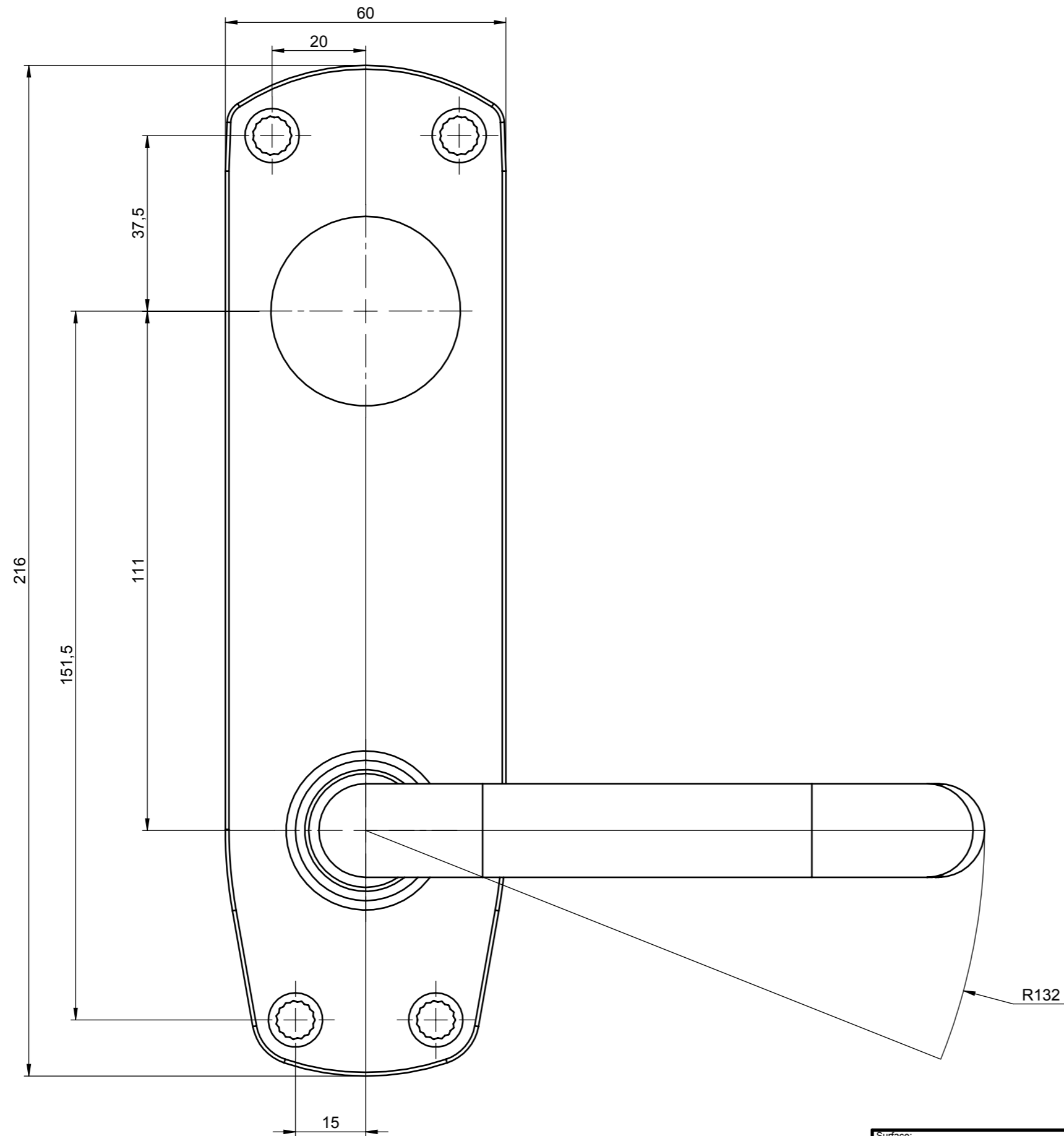


This work is copyright and no part may be reproduced, by any process, nor may any other exclusive right be exercised without the permission of ASSA ABLOY.



Surface:			Material:			General tolerance: ISO 2768-mH		
Volume:	Weight:	Surface area:	Created (YYYY-MM-DD):	Designed by:	Drawn by:	Scale: 1:1 (A3)	Projection: 	
ASSA ABLOY ASSA ABLOY Scandinavia			Emergency exit device 179F Right (Inside) Emergency exit device 179			Alternate ID		
						Document ID D000294831-001	Rev.: 2	

This work is copyright and no part may be reproduced, by any process, nor may any other exclusive right be exercised without the permission of ASSA ABLOY.



Surface:			Material:			General tolerance: ISO 2768-mH		
Volume:	Weight:	Surface area:	Created (YYYY-MM-DD):	Designed by:	Drawn by:	Scale: 1:1 (A3)	Projection:	
ASSA ABLOY ASSA ABLOY Scandinavia			Emergency exit device 179F Right (Outside) Emergency exit device 179			Alternate ID		
						Document ID D000294831-001	Rev.: 2	