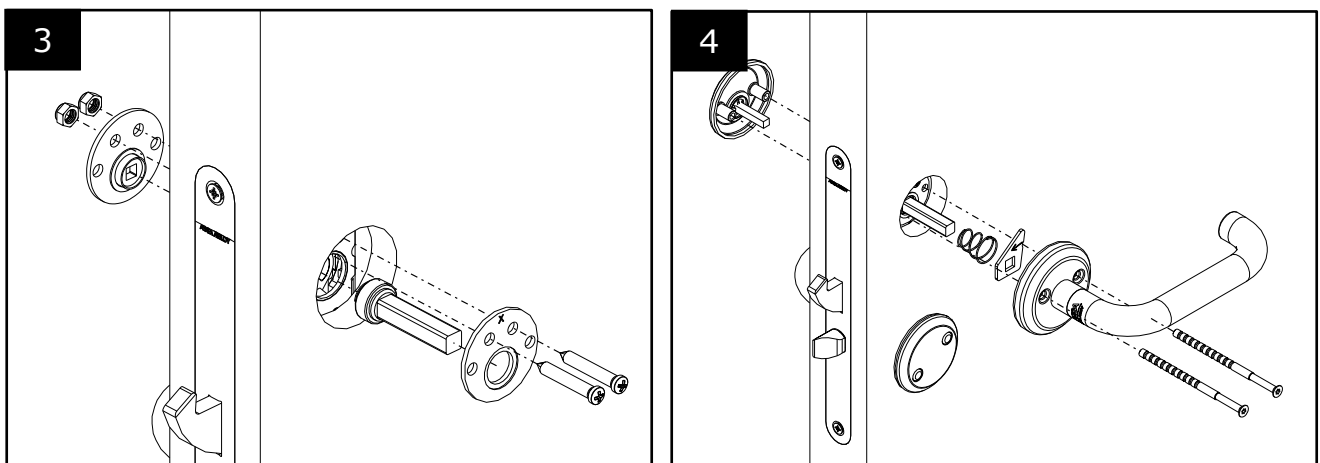
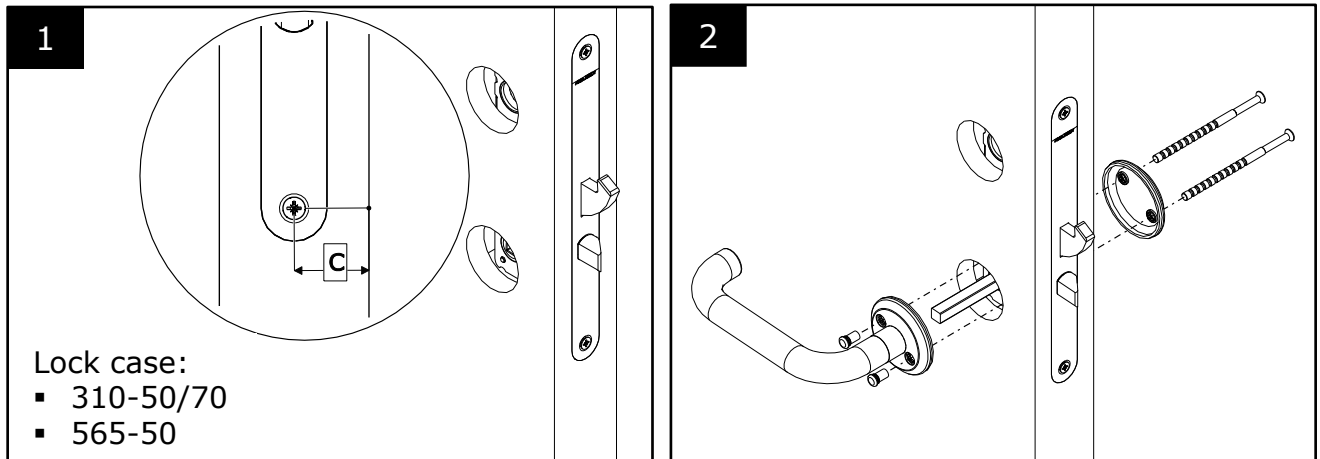


Document ID D000611928	Revision 2	Date 2018-03-02	Document Category Assembly instruction
Alternate ID		Confidentiality Level PUBLIC	
Author Wikström, Nadja		Status Approved	Page (of) 1 (1)

Assembly instruction Toilet accessories 9567T



If C-dimension < 20 mm:
use Cover plate 4291

If C-dimension 40-60 mm:
use Long Follower:
Left: 817725
Right: 817726

Right (101)

Left (102)

RH 706647101031
LH 706647102031

Left (102)

Right (101)