

# ASSA ABLOY motor lock narrow profile 841C-35, 851C-35

ASSA ABLOY  
Opening Solutions

Electromechanical locking



HI-O TECHNOLOGY™



## Application

ASSA ABLOY motor lock 851C-35 is suitable for narrow profile doors. It is suitable to be used as a night and safety-lock in doors with high security commercial, offices and industrial premises. Daytime-locked doors or high-frequency doors should be supplemented with a daytime lock for example the electric strike ASSA ABLOY 585.

## Function

The hook bolt is operated by the built-in motor. ASSA ABLOY's motor lock 851C-35 can be used in doors with door automatics.

**ASSA ABLOY 851C-35 is a Hi-O™ device that connects to a DAC564 or a DAC530**

Hi-O means that the units have a built-in microcomputer and are communicating with each other for plug-and-play installation, synchronization of door operation, monitoring of behavior and for sending diagnostic information.

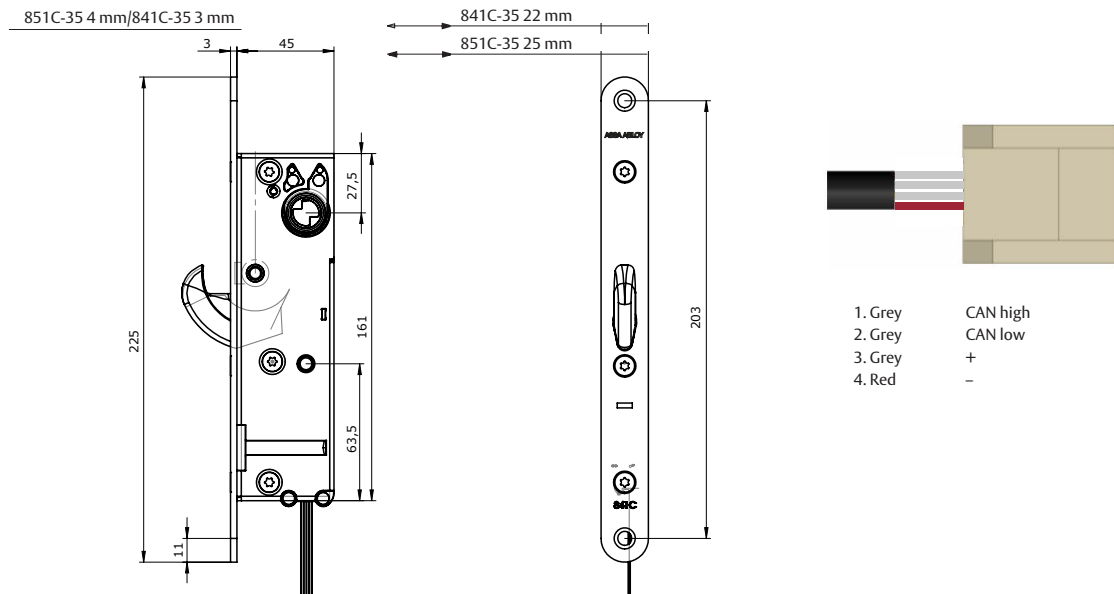
## Features

- Opening speed approximately 0.2 seconds
- New hook bolt for increased strength and side pressure
- LEDs and switches for initiation / status of the DAC
- The lock can be opened with a key / thumb turn
- Backset 35 mm
- Built-in hidden door position sensor (magnet in the strike plate)
- Can be combined with other Hi-O devices without control, for example daytime lock, automatic doors and card readers.

# ASSA ABLOY motor lock narrow profile 841C-35, 851C-35

ASSA ABLOY  
Opening Solutions

Electromechanical locking



#### The control unit DAC564:

- Acts as an interface towards the outside world, towards systems without Hi-O bus, for example, access control or alarm system.
- Communicates with the motor lock via the Hi-O bus.
- Require control signals from superior system to operate the motor lock.
- Provides indications to the monitoring system that tells lock and door status.
- Allows completion with external door position sensor (magnetic contact).
- Also controls additional daytime lock so that a complete day/night combination is formed.
- Activates alarm when faults occur.
- Connected to power supply.
- Shall be installed on secure side of the door within 10 m from the motor lock.
- If DAC564 / DAC530 are integrated with ARX access control system, a total integrated solution with great flexibility is created.

#### Technical specifications ASSA ABLOY 851C-35

- Voltage 12–24 VDC established -5%+15%
- Power consumption Idle 50 mA Max 445 mA at 24 VDC
- Slot 35 mm backset for 4559 seizure
- Certified according to EN14846
- Lock case 841C-35 meets the requirements according to SS3522, publish 5 / SS3071, class 4
- Lock case 851C-35 meets the requirements according to SS3522, publish 5 / SS3071, class 5
- Complies with the EMC directive

#### Technical specifications ASSA ABLOY 850C/851C-50 + DAC564

- Voltage 24 VAC / VDC  $\pm$  15%
- Power consumption Idle 90 mA Max 510 mA
- Relays in DAC564 Single-pole switching Max 50 VDC at 1 A
- Connecting cable EA226 10 m, Max distance between Hi-O units = 10 m
- Door gap Max 6 mm

#### Environment

- Motor lock Temp - 20 ° C - + 70 ° C
- Control Unit Temp + 5 ° C - + 40 ° C, 20 – 90 % relative humidity, non-condensation

#### Accessories

- ASSA ABLOY oval cylinders
- ASSA ABLOY self-centering oval thumb turn cylinder
- ASSA ABLOY safety accessory 4559
- ASSA ABLOY security strike plate 1487-8 with integrated magnet\*
- Connecting cable EA226, 10 m\*
- Cable loop EA280 / EA281\*
- Control unit DAC564\* / DAC530
- Central LCU9101

\* Included in the kit package

ASSA ABLOY Opening Solutions Sweden  
P.O. Box 371  
SE-631 05 Eskilstuna  
Sweden

Phone +46 (0)16 17 70 00  
Fax +46 (0)16 17 70 49

Customer support:  
Phone intl. +46 (0)16 17 71 00  
Phone nat. 0771-640 640  
Fax +46 (0)16 17 73 72  
e-mail: helpdesk.se.openingsolutions@assaabloy.com  
www.assaabloyopeningsolutions.se