

ASSA ABLOY Anti-ligature Lever handle

ASSA ABLOY
Opening Solutions

Anti-ligature fittings for different types of institutional environments



Anti ligature Thumbturn
560-Override

Anti ligature
Handle Flip-down

ASSA ABLOY's health care accessories are designed to meet the need for personal integrity and individual security for patients staying in different types of institutional environments, for example in mental health care.

Application

Anti ligature Clutch thumbturn 560-Override

- Designed for use on individual bedrooms or bathrooms within mental health secure accommodation, young offenders units, etc. Permit clients to lock the door for privacy, while allowing authorised staff to gain entry. Avoids the problem with conventional thumbturns where clients can prevent the door being unlocked by gripping the internal turn
- The thumbturn have a rounded shape to make it difficult for ropes, wires or cotton bandage to get attached

Specifications

- Clutch thumbturn
- Brushed stainless steel AISI 316L // EN 1.4404
- Suitable for lockcases with 90 ° key rotation like: 565- and 310-50 / 70
- Combined with oval DC cylinder (xx03) on the outside of the door
- Tested according to DHF TS 001: 2013

- The thumbturn disengages when attempting to hold from the inside
- Rounded design to minimise risk of injury and prevent the attachment of ligatures
- May be used to operate the lock normally. However, if the thumbturn is gripped to prevent the door being unlocked, the internal sprung clutch mechanism will release allowing a key to turn in the cylinder and operate the lock.

Anti ligature Handle Flip-down

- The handle have a conical shape to make it difficult for ropes, wires or cotton bandage to get attached
- When loaded, the handle is folded down, which makes it difficult to expose yourself to injury
- In combination with ASSA ABLOY lockcase 565, staff can always get in using the key

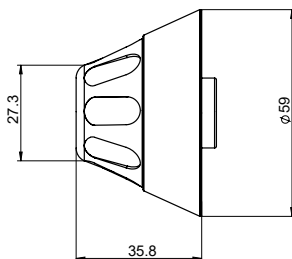
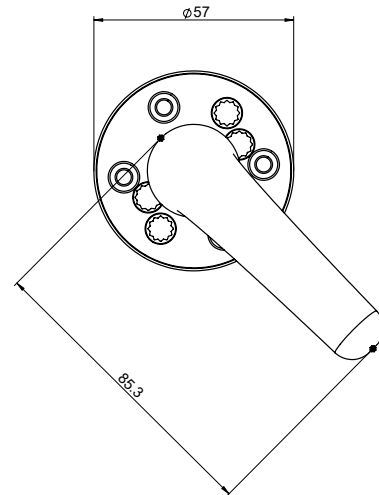
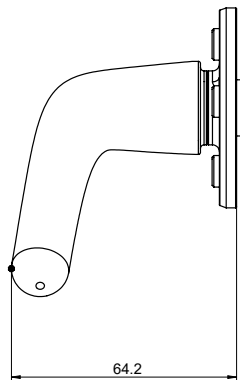
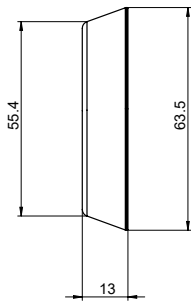
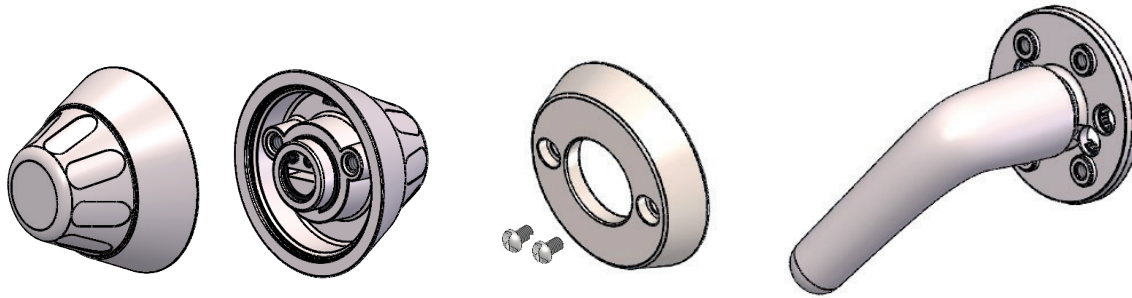
Specifications

- Brushed stainless steel AISI 316L // EN 1.4404
- Multi fixings SCA/DIN/EUR c/c 30 or 38 mm
- Rose mounted with bolt through fastening and the cover with one-way screws
- Available as a pair or half set and can be combined with ASSA ABLOY's other lever handles.

ASSA ABLOY Anti-ligature Lever handle and clutch thumbturn

ASSA ABLOY
Opening Solutions

Anti-ligature fittings for different types of institutional environments



Other accessories

- These products are preferred to be used together with ASSA ABLOY lockcase 565 or 310
- When integrating with access systems, it is recommended lock housing 560, 562 or 1560

Item number

- | | |
|---|----------------|
| • Anti ligature Thumbturn 560-Override | 706758 160 031 |
| • Anti ligature Handle Flip-down Scan/DIN Pair | 706759 160 031 |
| • Anti ligature Handle Flip-down Scan/DIN ½-set | 706760 160 031 |
| • Anti ligature 96265 Clutch toilet thumbturn | 706875 100 013 |

ASSA ABLOY Opening Solutions Sweden
P.O. Box 371
SE-631 05 Eskilstuna
Sweden

Phone +46 (0)16 17 70 00
Fax +46 (0)16 17 70 49

Customer support:

Phone intl. +46 (0)16 17 71 00
Phone nat. 0771-640 640

Fax +46 (0)16 17 73 72

e-mail: helpdesk.se.openingsolutions@assaabloy.com
www.assaabloyopeningsolutions.se